



TABLE OF CONTENTS

English

Introduction.....	3
Installation.....	5
OTP & Proud Post Installation.....	5
Over The Top (OTP) Installation.....	9
Proud Post Installation.....	20
Angle Bracket Installation.....	29
Tensioning Cable.....	38
Care & Maintenance.....	40
Warranty.....	41

Français

Introduction.....	45
Installation.....	47
Installation d'une traverse supérieure continue et d'un poteau en saillie.....	47
Installation d'une traverse supérieure continue.....	51
Installation d'un poteau en saillie.....	62
Installation d'un étrier de fixation.....	71
Mise sous tension des câbles.....	80
Nettoyage et entretien.....	82
Garantie.....	83

Español

Introducción.....	87
Instalación.....	88
Instalación OTP y postes salientes.....	89
Instalación sobre la parte superior (OTP).....	93
Instalación de postes salientes.....	104
Instalación de soporte en ángulo.....	113
Tensar el cable.....	122
Cuidado y mantenimiento.....	124
Garantía.....	125

INTRODUCTION

READ INSTRUCTIONS COMPLETELY BEFORE STARTING INSTALLATION

It is the responsibility of the installer to meet all code and safety requirements, and to obtain all required building permits. The deck and railing installer should determine and implement appropriate installation techniques for each installation situation. Fortress Railing Products and its distributors shall not be held liable for improper or unsafe installations.

Fortress AL¹³ HOME posts must always be secured to the deck framing and should never be attached to only the deck boards.

Note

When cutting Fortress railing, it is very important to complete the following at cut points:

- Remove all metal shavings from the cut area.
- File any sharp edges left by cutting. Thoroughly wipe and remove any filings, grime or dirt from the railing.
- Apply two coats of Fortress zinc based touch-up paint to the cut area. If touch up is at rail ends, allow paint to dry before connecting bracket to post.
- Be sure to remove any metal shavings from the surface of deck, patio or balcony to prevent stains on the deck surface.

Torx Safety Tips

- Always use the lowest speed setting on drill.
- To reduce chance of bit breakage, start tightening with drill on low torque setting and work up until screw is secured.

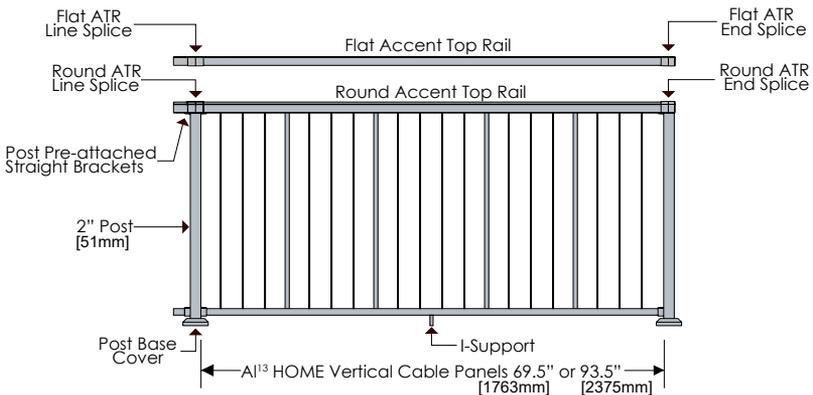
Tip: Pre-drill holes with 3/16" [4.5mm] drill bit.

Required Tools

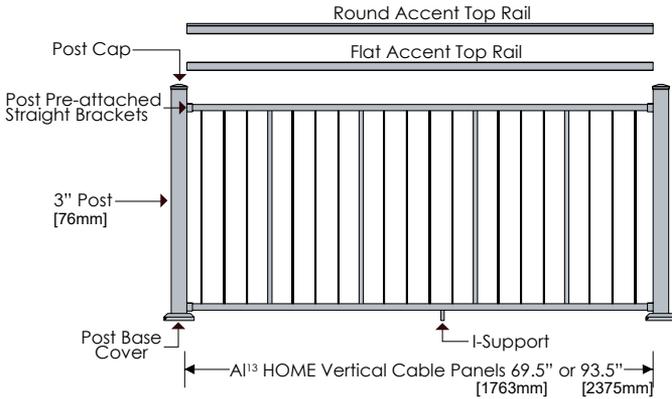


AL¹³ HOME Vertical Cable Installation Options

Over The Post (OTP)



Proud Post

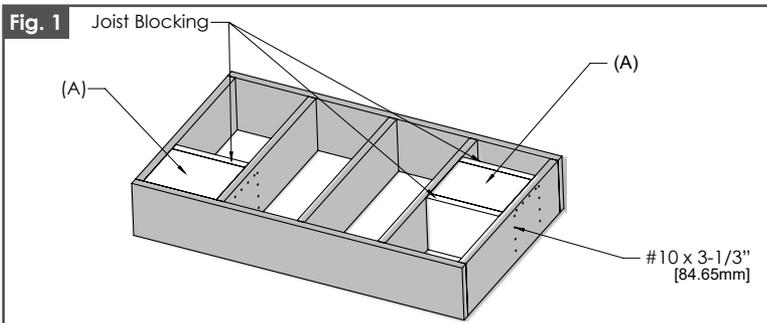


OTP & PROUD POST: POST MOUNTING

* If using Fortress Evolution Framing, contact Fortress for instructions.

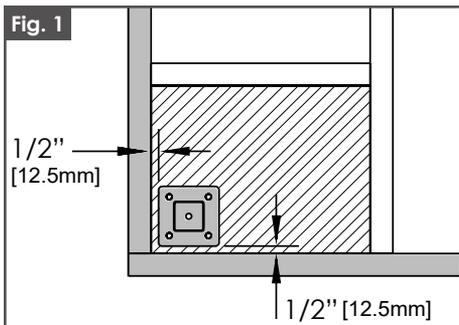
Step 1. Install Wood Blocks

1. Install Wood Block level with top of joist. As shown in Fig.1 (A)
2. Secure Wood Block to blocking on all four sides with #10 X 3-1/2" [89mm] deck screws.
 - Wood Block must be constructed with treated dimensional lumber with a minimum thickness of 1 1/2" [38mm].



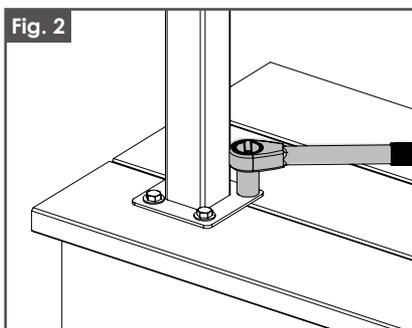
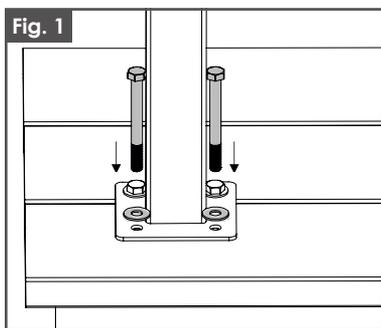
Step 2. Position Base Plate

1. Position the edge of AL¹³ HOME base plate a minimum of 1/2" [12.5mm] from the inside edge of rim joist. As shown in Fig. 1.



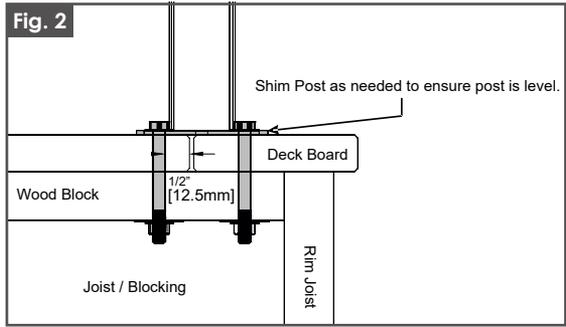
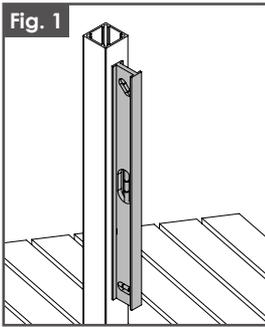
Step 3. Mount Posts

1. Mark mounting hole locations and pre-drill a 3/8" [9.5mm] hole.
2. Insert 3/8" x 3-1/2" [9.5mm x 89mm] Hex Head galvanized bolts through 3/8" [9.5mm] galvanized washer and post base plate.
 - Post Base Plate holes **MUST** be positioned a minimum 1/2" [12.5mm] from edge of deck board.
 - Use only 3/8" [9.5mm] Hex Head Galvanized Bolts. Lag Screws should **NOT** be used. Secure each post with four bolts.



Step 4. Check Mounted Posts

1. Shim post as needed to ensure post is level.

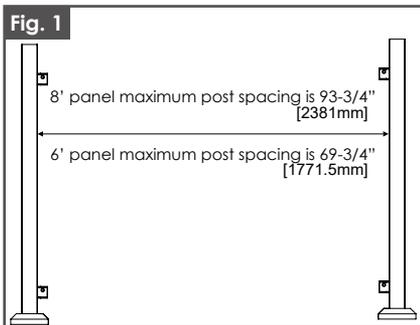


Step 5. Max Post Spacing

- 8' panel maximum post spacing is 93-3/4" [2381mm].
- 6' panel maximum post spacing is 69-3/4" [1771.5mm].

Note:

- **Do not exceed the maximum post spacing.**

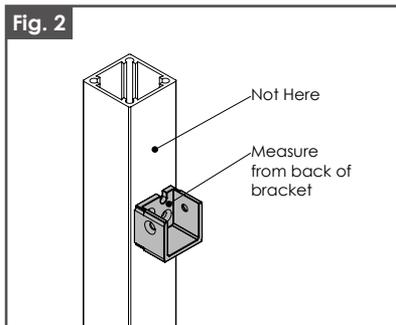
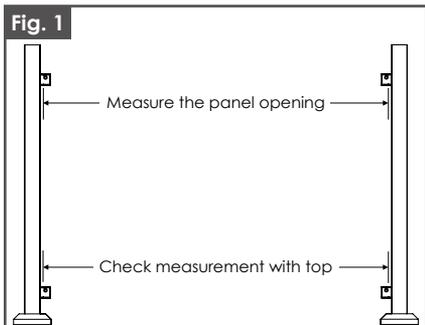


Step 6. Measure The Panel Opening Length

1. Measure the distance of the panel opening. As shown in Fig. 1.
2. Confirm that the measurements for the top brackets are the same as the bottom brackets.

Note:

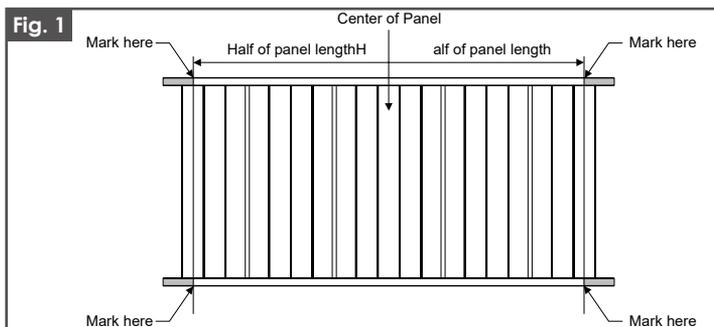
- **Measure from the back wall of the bracket to the back wall of the bracket on other post. As shown in Fig. 2.**



OTP & PROUD POST: CUTTING DOWN PANELS

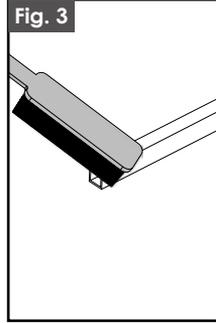
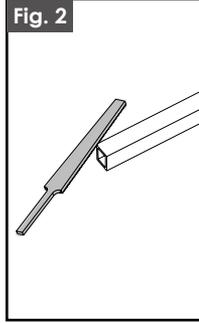
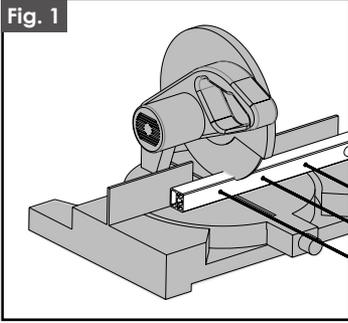
Step 1. Measure & Mark Panels Where Cuts Will Be Made

1. To ensure panel is symmetrical, take the measurement found on page 7 step 6 and divide it in half. Then cut equal lengths from both ends.
2. Find the center of the panel and measure out half of the length each direction.
3. Mark these locations with a pencil on the top and bottom rail.



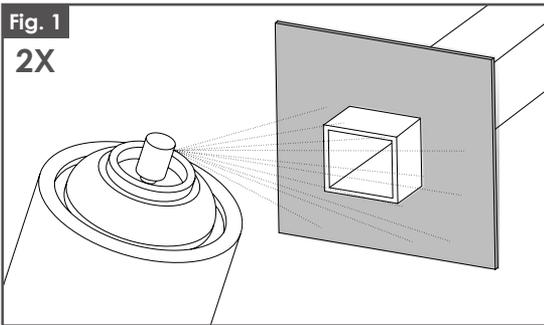
Step 2. Cut & Clean Panel

1. Cut rails using a saw with a fine tooth carbide cutting blade.
2. Use file to smooth cut edges.
3. Remove any metal shavings and dust with a brush or rag.
4. Make sure surfaces to be painted are clean.



Step 3. Apply Spray Paint To Cut Areas

1. Using a piece of cardboard as a mask, apply the 1st coat of Fortress zinc based touch-up paint.
2. Allow to dry before applying second coat.
3. Apply the 2nd coat of Fortress zinc based touch-up paint.
4. Allow to dry and install.

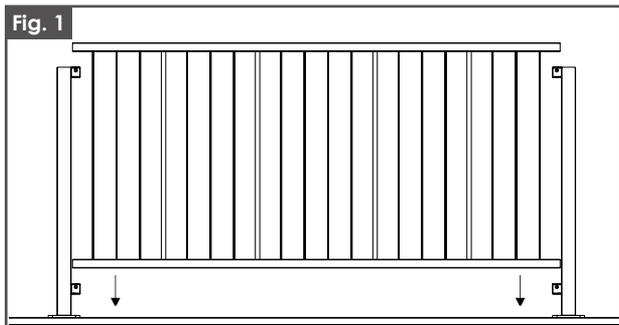


OTP INSTALLATION

Step 1. Test Fit Panel

1. Insert cut panel to ensure proper fit.

Fig. 1



Step 2. Install I-Support On Panel

1. Install I-Support to underside of bottom rail with the 2 supplied Phillips head self-drilling screws. As shown in Fig. 1.

Fig. 1

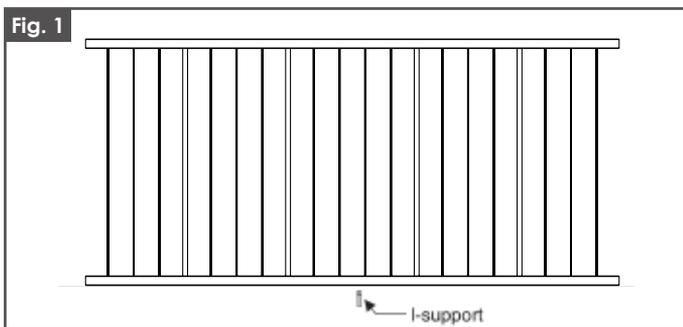
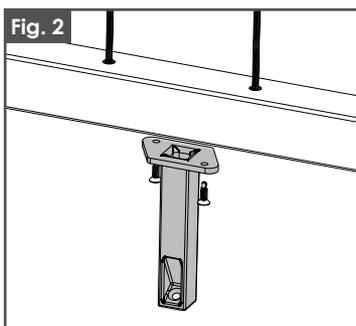
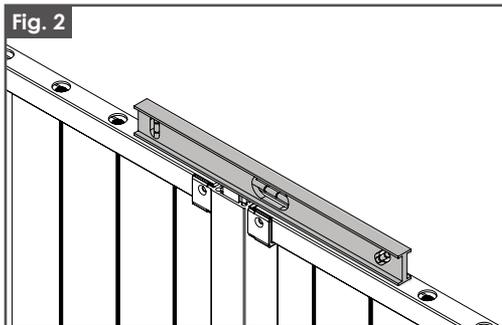
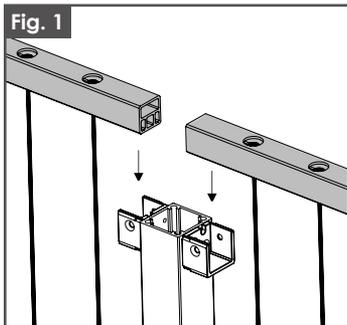


Fig. 2



Step 3. Install Panel

1. Use level to ensure that all panels are at the same height before attaching them to the post.
 - The use of an ATR spacer or block might be needed to measure over a post.



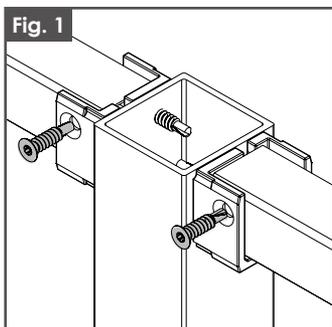
Step 4. Apply Screws

1. Attach the panel to each of the 4 brackets using the provided self-drilling screw with a T-25 Bit.

Tip: Pre-drill with a 3/16" [4.5mm] drill bit.

Note:

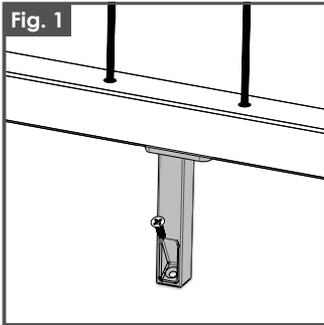
- It is recommended that all panels are attached with provided screws on the same side of the bracket when using a line post. As shown in Fig.1.
- Only one screw is needed to secure the bracket to the panel.



Step 5. Attach I-Support To Deck

1. Fasten I-Support to Deck Surface with the supplied Phillips Head Wood Screw.

Tip: Pre-drill with a 1/16" [1.5mm] drill bit.



OTP: TENSIONING CABLE

- Reference page 38 for tensioning steps.

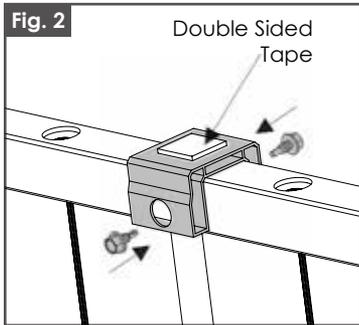
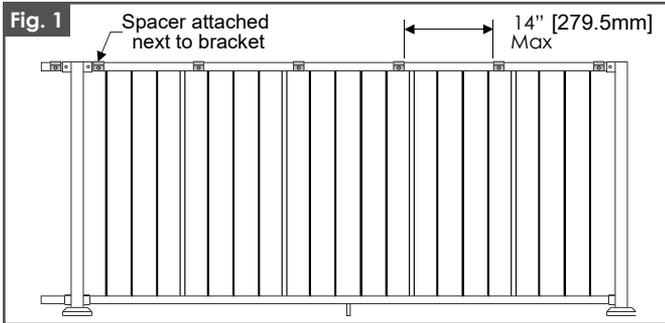
OTP: ROUND ACCENT TOP RAIL (ATR)

Step 1. Round ATR Spacers

1. Attach spacers using provided self-drilling screws with a 5/16" [8mm] nut driver, two screws per spacer. As shown in Fig. 2.
 - The Accent Top Rail Kit comes with 7 spacers in the 93.89" [2385mm] kit, 6 spacers in the 69.89" [1775mm] kit and 14 spacers in the 189.78" [4826mm] kit.
 - The spacers should be equally spaced along the length of the rail, with no more than 14" [279.5mm] spacing between them. As shown in Fig. 1.
 - The end spacers should be placed as close to the end brackets as possible.

Note:

- **DO NOT REMOVE BACKING OF DOUBLE SIDED TAPE UNTIL YOU ARE READY TO PERMANENTLY ATTACH THE ATR.**



Step 2. Round ATR and End Posts

1. Measure the distance from the inside edge of the 2 posts.
2. Cut the ATR to measured length.
3. The ATR cannot block the inside edge of the post. As shown in Fig. 3.
4. When test fitting the ATR, place on top of the spacers. Do not press the ATR down over the spacers. Removing the ATR from the spacers can damage the ATR and spacers. As shown in Fig. 2.
5. Remove the backing of all of the double-sided tape on the ATR spacers.
6. A Rubber Mallet might need to be used to install. If using a rubber mallet, use a cloth to protect the ATR from damage.

Fig. 1

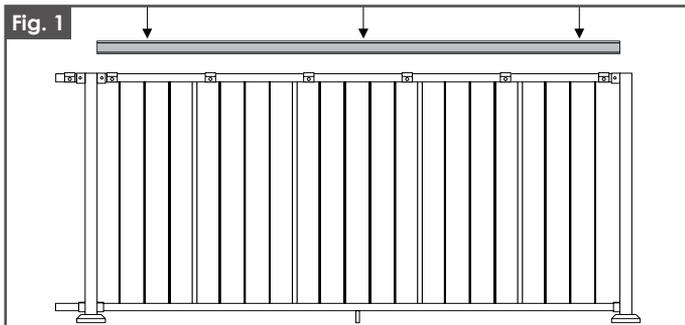


Fig. 2

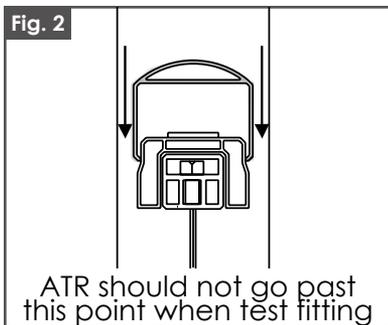
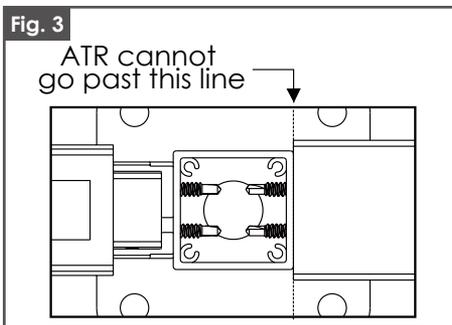


Fig. 3



Step 3. Round ATR Corner

1. When installing ATR on corners with a 2" [51 mm] post, the ATR must be 5/16" [8mm] away from the post. As shown in Fig. 1.
2. If installing a corner with a 3" [76mm] proud post, install the ATR at full length from the inside edge of the post to the inside edge of the post.

Fig. 1

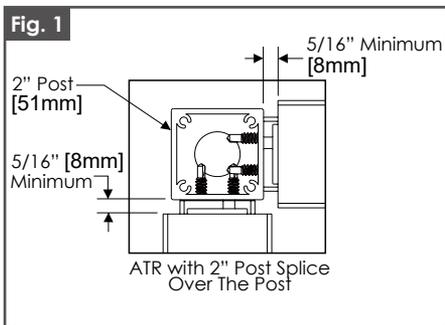
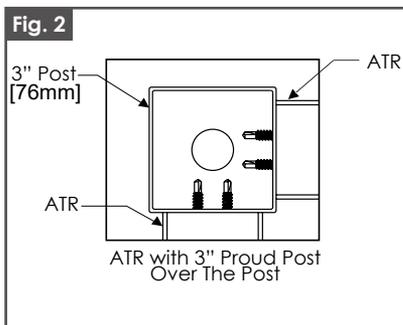
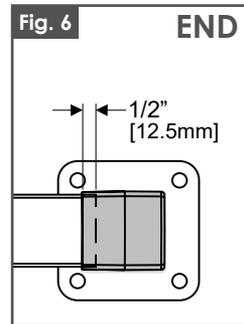
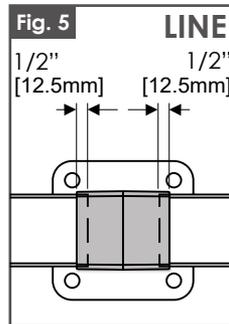
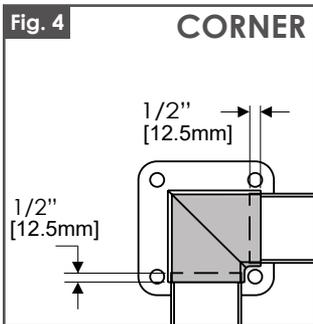
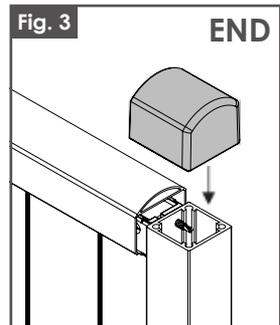
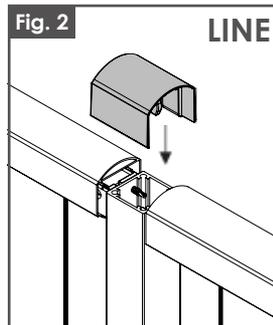
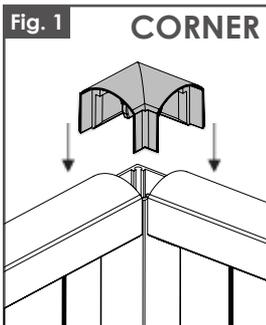


Fig. 2



Step 4. Round ATR Splice

1. To install an ATR splice: Center the splice over the post and with force press down over the ATR. As shown in Fig. 1,2,3.
2. A Rubber Mallet might need to be used to install. If using a Rubber Mallet, use a cloth to protect the splice from damage.
 - ATR splices reference the inside of the post and snap down around the ATR.
 - ATR splices allow up to 1/2" [12.5mm] of length variation from the edge of the post. As shown in Fig. 4,5,6.



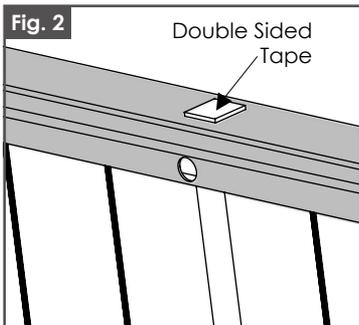
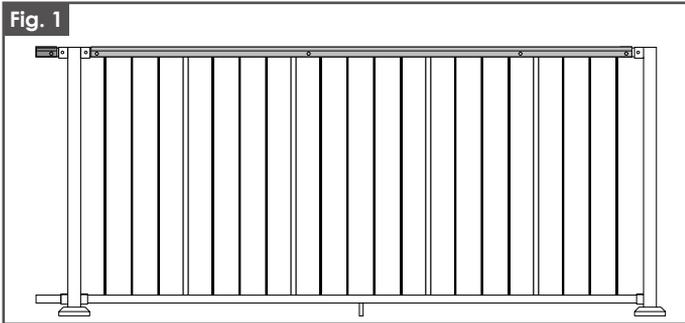
OTP: FLAT ACCENT TOP RAIL (ATR)

Step 1. Flat ATR Spacers

1. Measure distance between brackets and cut ATR spacer to length. The spacer can be $1/4''$ [6.5mm] shorter than the distance between brackets.
2. If one of the screw holes was cut off during the sizing of the ATR spacer, use a $5/8''$ [16mm] drill bit to add another hole 1" from the end of the ATR spacer.
3. Attach the ATR spacer using the provided self-drilling screws with a $5/16''$ [8mm] nut driver.
4. All screw holes must have a screw installed.

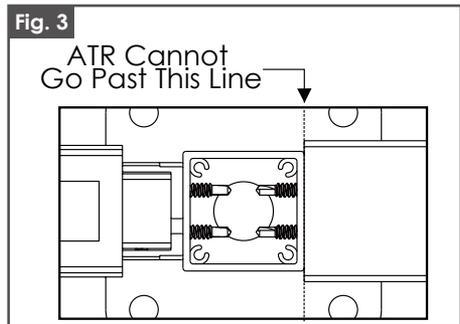
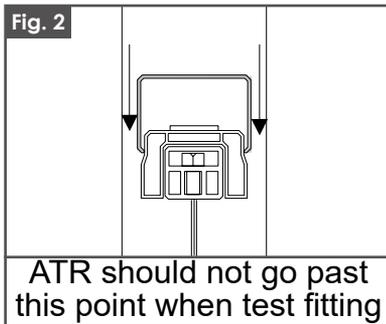
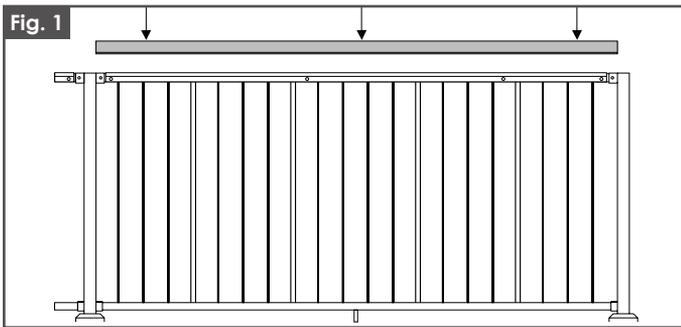
Note:

- **Flat ATR uses a full length ATR spacer.**
- **DO NOT REMOVE BACKING OF DOUBLE SIDED TAPE UNTIL YOU ARE READY TO PERMANENTLY ATTACH THE ATR.**



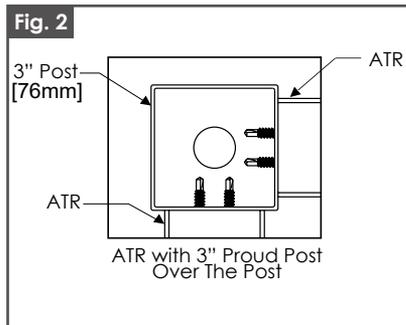
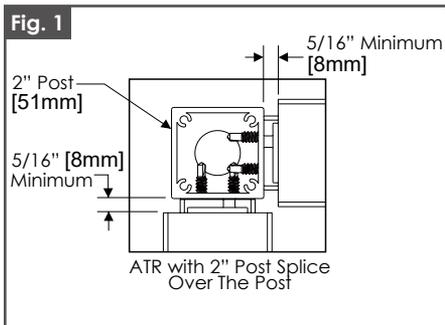
Step 2. Flat ATR Line And End

1. Measure the distance from the inside edge of the 2 posts.
2. Cut the ATR to measured length.
3. The ATR cannot block the inside edge of the post.
4. When test fitting the ATR, place on top of the spacers. Do not press the ATR down over the spacers. Removing the ATR from the spacers can damage the ATR and spacers.
5. Remove the backing of all of the double-sided tape on the ATR spacers.
6. A Rubber Mallet might need to be used to install. If using a rubber mallet, use a cloth to protect the ATR from damage.



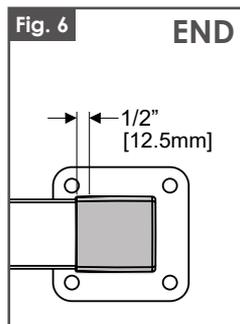
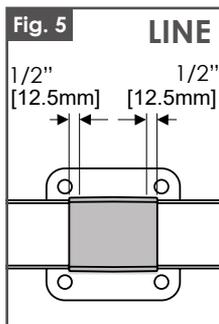
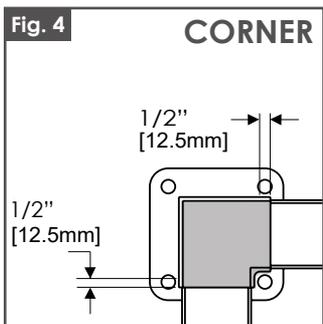
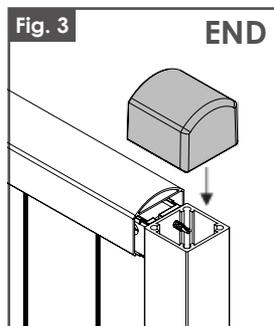
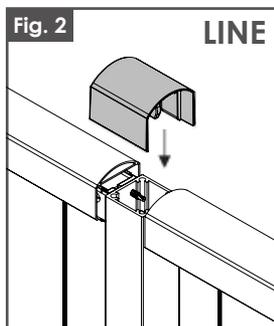
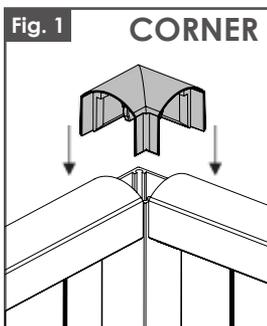
Step 3. Flat ATR Corner

1. When installing ATRs on corners with a 2" [51 mm] post, the ATR must be 5/16" [8mm] away from the post. As shown in Fig. 1.
2. If installing a corner with a 3" [76mm] proud post, install the ATR at full length from the inside edge of the post to the inside edge of the post. As shown in Fig. 2.



Step 4. Flat ATR Splice

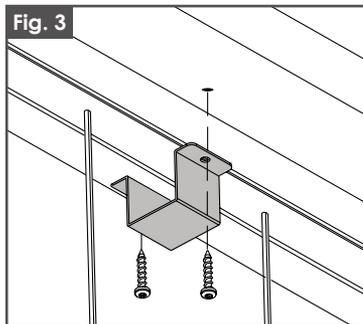
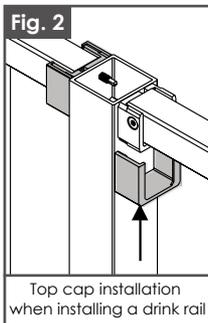
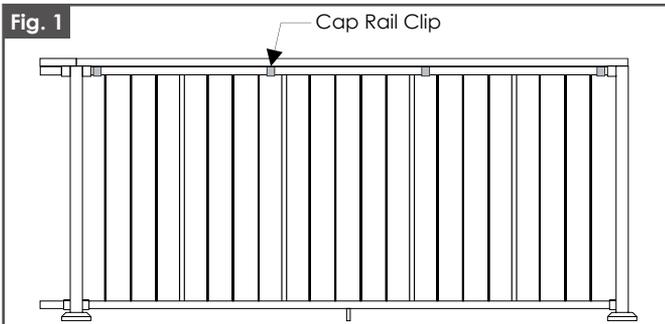
- To install an ATR Splice: Center the splice over the post and with force press down over the ATR.
- A Rubber Mallet might need to be used to install. If using a Rubber Mallet, use a cloth to protect the splice from damage.
 - ATR Splices reference the inside of the post and snap down around the ATR.
 - ATR Splices allow up to 1/2" [12.5mm] of length variation from the edge of the post.



OTP: CAP RAIL CLIPS & POST BASE COVER

Step 1. Cap Rail Clips

1. Install top rail bracket covers that come with the Cap Rail Clips. As shown in Fig. 2.
2. Use Cap Rail Clips when installing a drink rail.
 - Cap Rail Clips should be equally spaced over the panel length.
 - It is recommended to pre-drill the screw holes.



Step 2. Bracket Cover and Post Base Cover

1. Bracket Caps snap down over Bracket Cups.
2. Dis-assemble post base cover and install on post.
3. Use a broom or compressor to remove debris from railing and deck surface.

Fig. 1

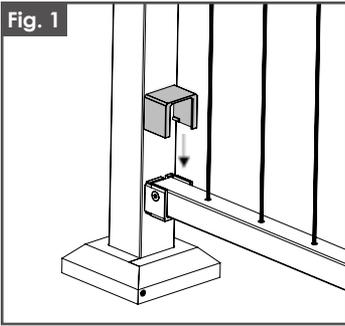
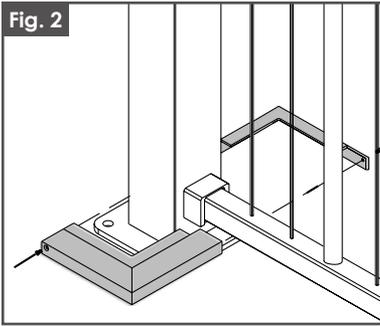


Fig. 2

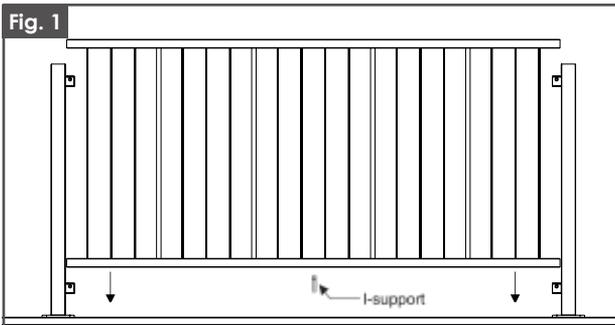


PROUD POST INSTALLATION

Step 1. Test Fit Panel.

1. Install cut panel to ensure proper fit.

Fig. 1



Step 2. Install I-Support On Panel

1. Install I-Support to underside of bottom rail with the 2 supplied Phillips Head Self-drilling Screws. As shown in Fig. 2.

Fig. 1

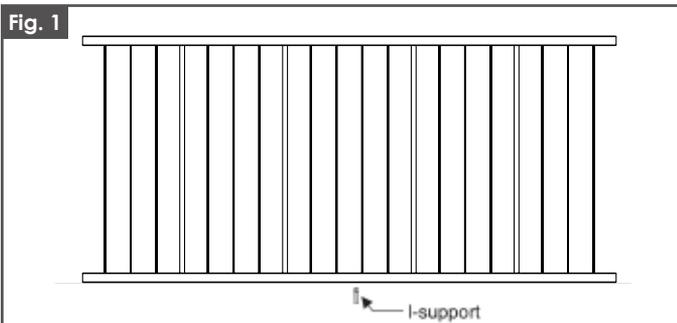
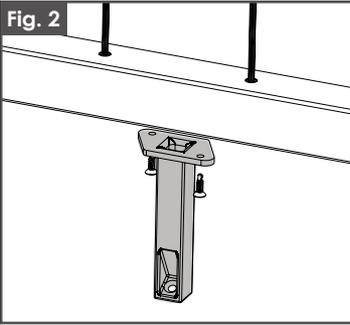


Fig. 2



Step 3. Apply Screws

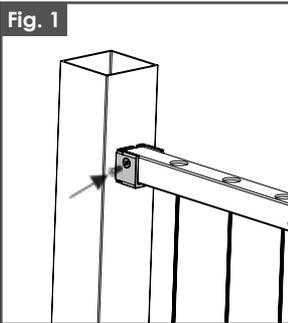
1. Attach the panel to each of the 4 brackets using the provided self-drilling screw with a T-25 Bit.

Tip: Pre-drill with a 3/16" [4.5mm] drill bit.

NOTE:

- **Only one screw is needed to secure the bracket to the panel.**

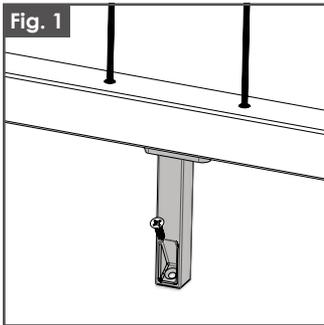
Fig. 1



Step 4. Attach I-Support To Deck

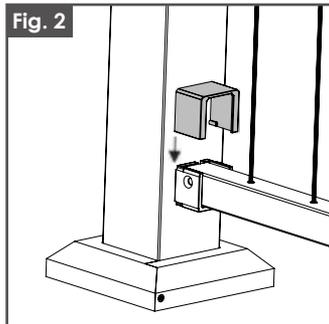
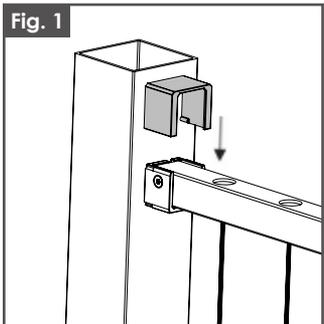
1. Fasten I-Support to deck surface with the supplied Phillips Head Wood Screw.

Tip: Pre-drill with a 1/16" [1.5mm] drill bit.



Step 5. Bracket Caps.

1. Bracket Caps snap down over Bracket Cups.
 - If you are installing a drink rail using the Cap Rail Clips, the cap is installed under the bracket. See page 11 for details.
 - The top bracket cap can be installed when using an ATR but is not required to be installed.



PROUD POST: TENSION CABLE

- Reference page 38 for tensioning steps.

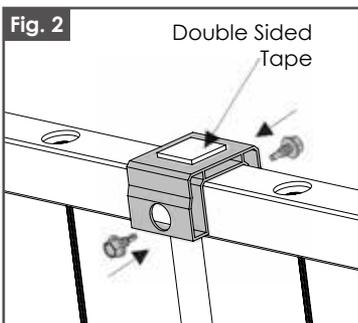
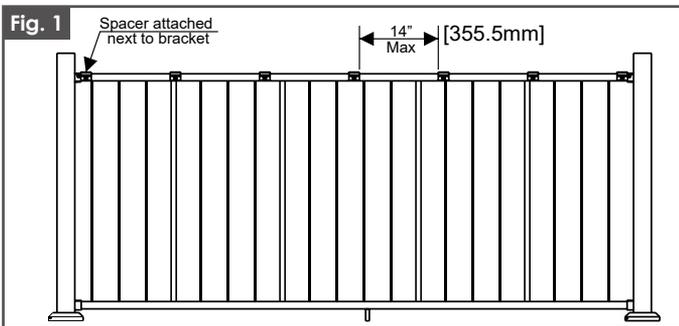
PROUD POST: ROUND ACCENT TOP RAIL (ATR)

Step 1. Round ATR Spacers

1. Attach Spacers using provided self-drilling screws with a 5/16" [8mm] nut driver, two screws per spacer. As shown in Fig. 2.
 - The Accent Top Rail Kit comes with 7 spacers in the 93.89" [2385mm] kit, 6 spacers in the 69.89" [1775mm] kit and 14 spacers in the 189.78" [4826mm] kit.
 - The spacers should be equally spaced along the length of the rail, with no more than 14" [279.5mm] spacing between them. As shown in Fig. 1.
 - The end spacers should be placed as close to the end brackets as possible.

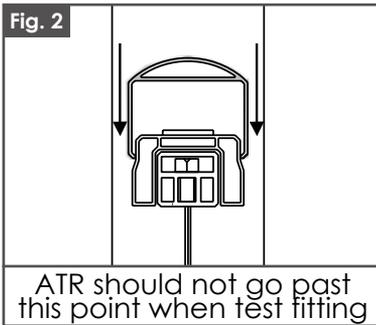
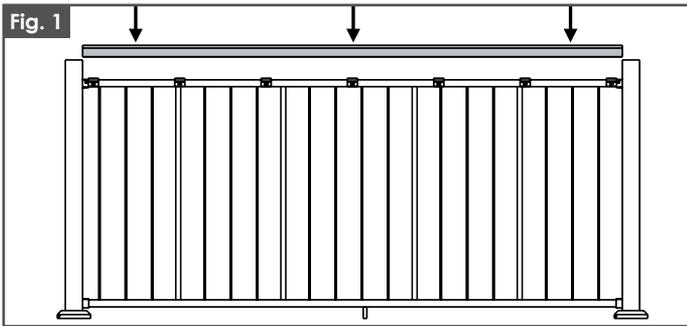
Note:

- **DO NOT REMOVE BACKING OF DOUBLE SIDED TAPE UNTIL YOU ARE READY TO PERMANENTLY ATTACH THE ATR.**



Step 2. Round ATR

1. Measure the distance from the inside edge of the 2 posts.
2. Cut the ATR to measured length.
3. When test fitting the ATR, place it on top of the spacers. Do not press the ATR down over the spacers. Removing the ATR from the spacers can damage the ATR and spacers. As shown in Fig. 2.
4. Remove the backing of all of the double-sided tape on the ATR spacers.
5. A Rubber Mallet might need to be used to install. If using a Rubber Mallet, use a cloth to protect the ATR from damage.



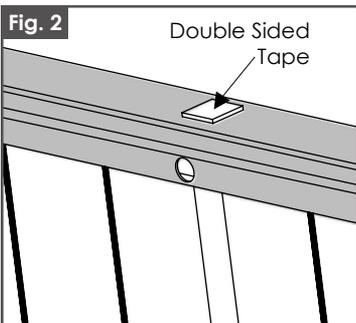
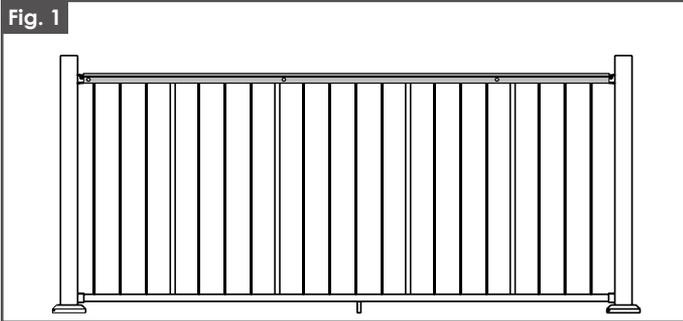
PROUD POST: FLAT ACCENT TOP RAIL (ATR)

Step 1. Flat ATR Spacers

1. Measure distance between brackets and cut ATR Spacer to length. The Spacer can be $1/4"$ [6.5mm] shorter than the distance between brackets.
2. If one of the screw holes was cut off during the sizing of the ATR Spacer, use a $5/8"$ [16mm] drill bit to add another hole 1" from the end of the ATR Spacer.
3. Attach the ATR Spacer using the provided self-drilling screws with a $5/16"$ [8mm] nut driver.
4. All screw holes must have a screw installed.

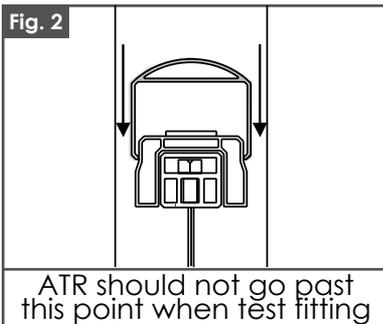
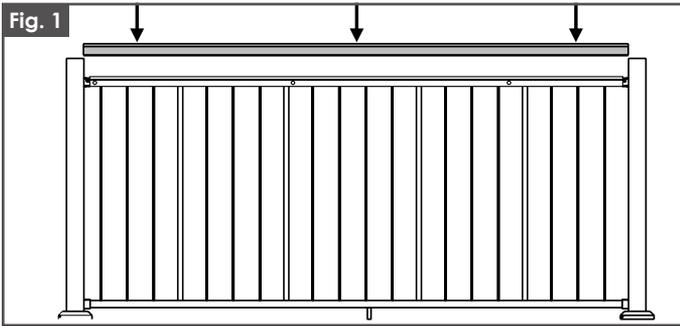
Note:

- **Flat ATR uses a full length ATR spacer.**
- **DO NOT REMOVE BACKING OF DOUBLE SIDED TAPE UNTIL YOU ARE READY TO PERMANENTLY ATTACH THE ATR.**



Step 2. Flat ATR Line And End

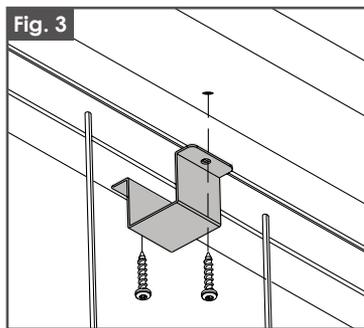
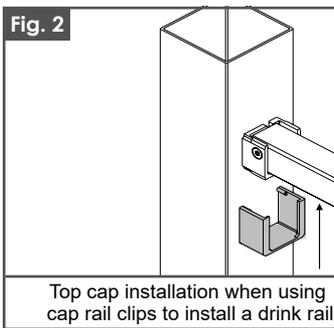
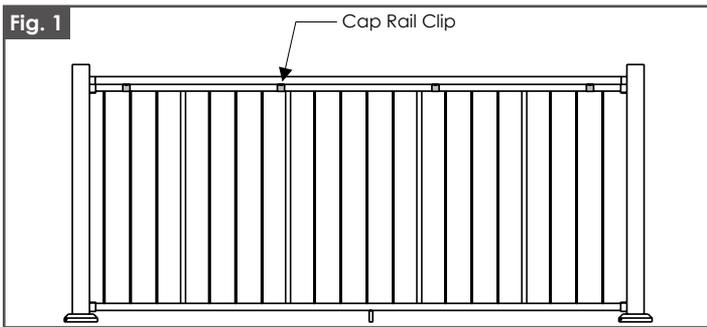
1. Measure the distance from the inside edge of the 2 posts.
2. Cut the ATR to measured length.
3. The ATR cannot block the inside edge of the post.
4. When test fitting the ATR, place on top of the spacers. Do not press the ATR down over the spacers. Removing the ATR from the spacers can damage the ATR and spacers. As shown in Fig. 2.
5. Remove the backing of all of the double-sided tape on the ATR spacers.
6. A Rubber Mallet might need to be used to install. If using a Rubber Mallet, use a cloth to protect the ATR from damage.



PROUD POST: CAP RAIL CLIPS, POST CAP & POST BASE COVER

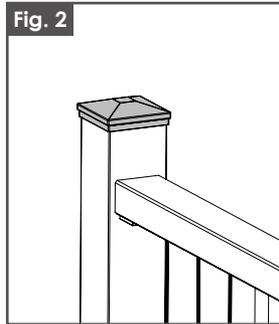
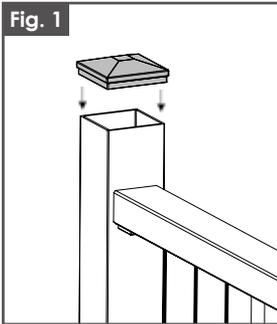
Step 1. Cap Rail Clips

1. Install top rail bracket covers that come with the Cap Rail Clips. As shown in Fig. 2.
2. Use Cap Rail Clips when installing a drink rail.
 - Cap Rail Clips should be equally spaced over the panel length.
 - It is recommended to pre-drill the screw holes.



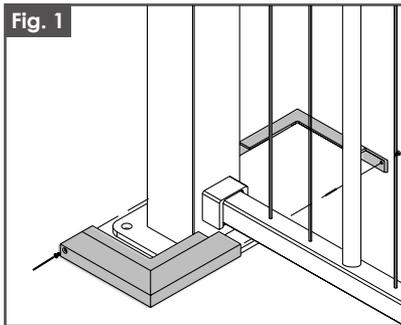
Step 2. AL¹³ HOME Post Caps

1. AL¹³ HOME Posts Caps are press fit into place.



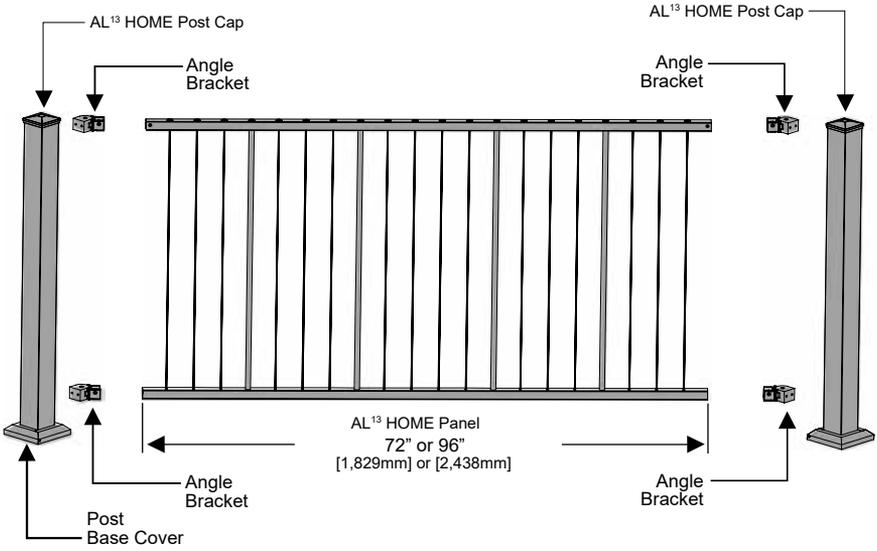
Step 3. Post Base Cover

1. Dis-assemble post base cover and install on post.
2. Use a broom or compressor to remove debris from railing and deck surface.



ANGLE BRACKET: BRACKET OPTIONS

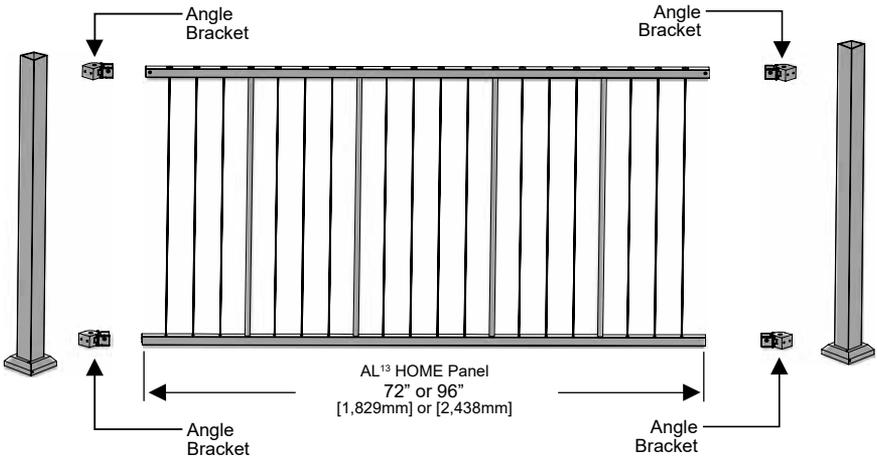
3" [76mm] Proud Post Angle Bracket



3" [76mm] Proud Post Configurations

AL ¹³ HOME Panel Height	AL ¹³ HOME Panel Only	
	Installed Panel Height	Required Post
32-1/2" [825.5mm]	36" [914mm]	39-1/2" [1,003.5mm]
40" [1,016mm]	42" [1,067mm]	45-1/2" [1,155.5mm]

2" [51 mm] OTP Post Angle Bracket



2" [51 mm] Proud Post Configurations

AL ¹³ HOME Panel Height	AL ¹³ HOME Panel Only	
	Installed Panel Height*	Required Post
32-1/2" [825.5mm]	36" [914mm]	36" [914mm]
40" [1,016mm]	42" [1,067mm]	42" [1,067mm]

ANGLE BRACKET: BRACKET INSTALLATION

Step 1. Angle Bracket Hole Locations

- Installed panel heights include space between the deck surface and underside of bottom rail. AL¹³ HOME 32.5" [825.5mm] panels have a 3-1/2" [89mm] space. AL¹³ HOME 40" [1,016mm] panels have a 2' [51 mm] space.
- Dimension A is measured from the bottom surface of post base.

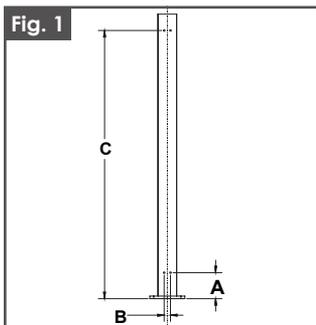


Fig. 2

Panel Height	
1	32-1/2" [825.5mm]
2	40" [1,016mm]

Pre-Drilling with a 3/16" [4.5mm] drill bit is required.

Pre-Drill Dimensions			
	A*	B	C
1	4-3/16" [106.5mm]	1" [25.5mm]	35-3/8" [899mm]
2	2-11/16" [68mm]	1" [25.5mm]	41-7/16" [1052mm]

Step 2. Pre-Drill and Install Angle Brackets

1. Mark the centerline of each post with a pencil.
2. Mark hole locations defined in the previous step with a pencil, then pre-drill with a 3/16" [4.5mm] drill bit, ensuring that the holes are spaced evenly from the centerline. As shown in Fig. 1.
3. Remove the bolt from the Angle Bracket Assembly.
4. Attach Angle Bracket Base piece to the posts with supplied T-25 thread-cutting screws. Use two screws per bracket. Use low speed setting on drill. The side of the base with two holes should be facing downwards.
5. Reassemble the Angle Brackets, but **DO NOT** install the Angle Bracket Cap at this time. As shown in Fig. 2.
6. Install Post Base Cover by sliding over the top of Post. As shown in Fig. 3.
7. Remove all metal shavings from deck, post base cover, post, and panel before bracket is screwed to post.

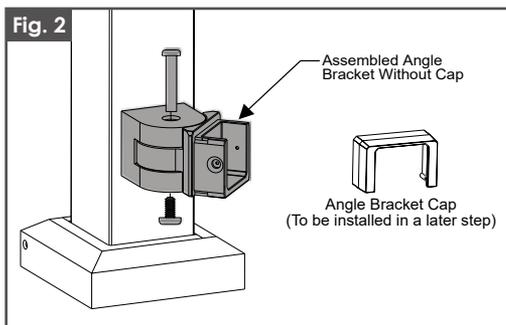
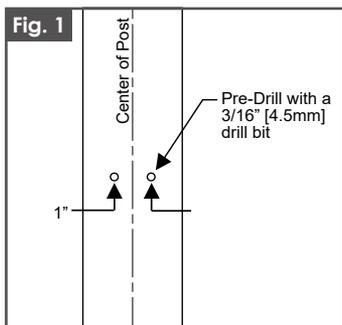
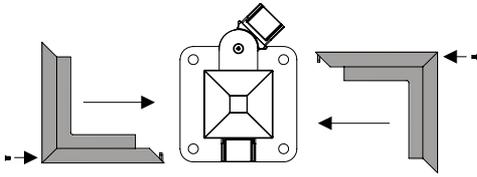


Fig. 3



Step 3. Determine Panel Length

1. Check to ensure that all posts are square and straight. Shim posts as required.
2. Ensure that the Angle Bracket Cups are approximately aligned.
3. With another person's help, measure the distance from the inside back of one cup to the inside back of the other cup. This will be the panel length. As shown in Fig. 2.

Fig. 1

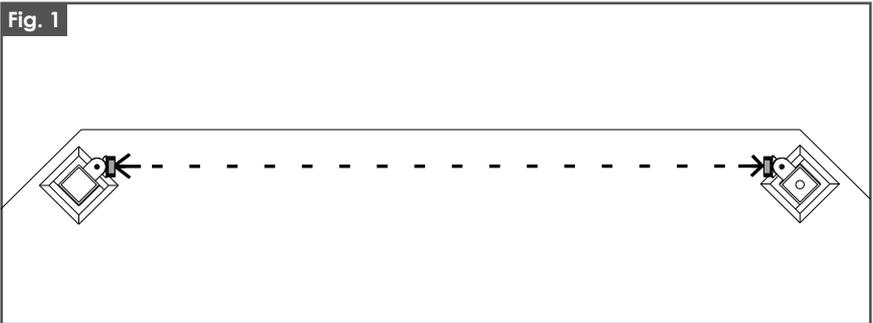
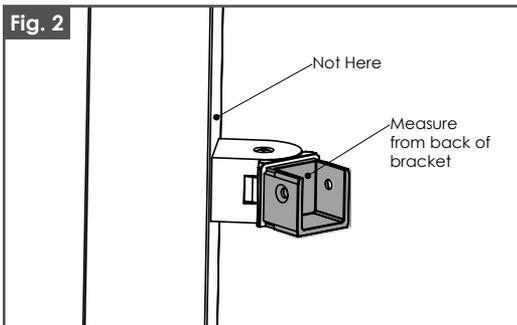


Fig. 2



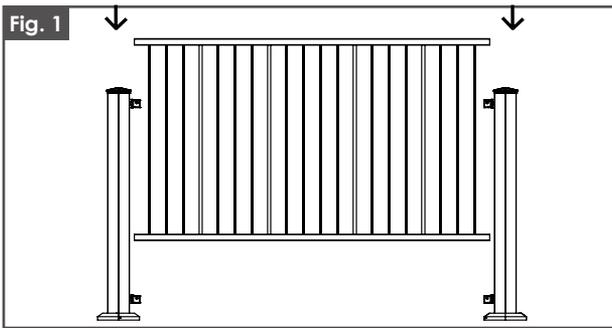
ANGLE BRACKET: CUTTING DOWN PANELS

- Reference page 8 for panel cutting steps.

ANGLE BRACKET: INSTALL PANEL

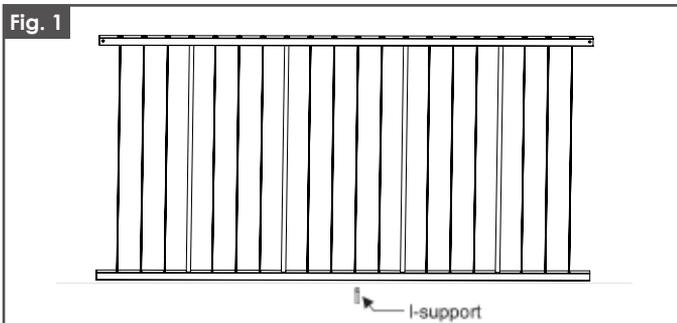
Step 1. Test Fit Panel

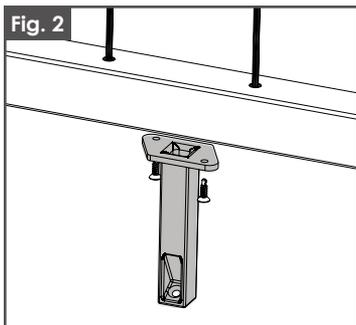
1. Insert cut panel to ensure proper fit.



Step 2. Install I-Support On Panel

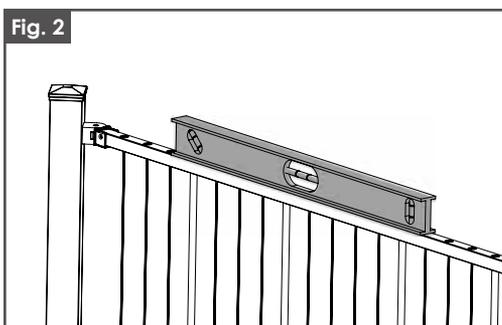
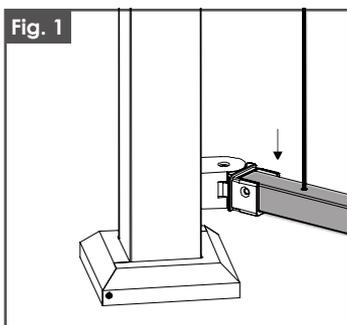
1. Install I-Support to underside of bottom rail with the 2 supplied Phillips Head self-drilling screws. As shown in Fig. 2.





Step 3. Install Panel

1. Use level to ensure that all panels are at the same height before attaching them to the post.
 - The use of an ATR Spacer or block might be needed to measure over a post.



Step 4. Apply Screws

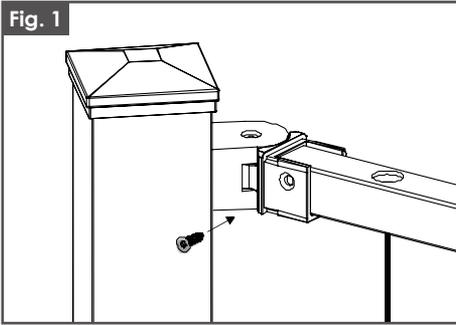
1. Attach the panel to each of the 4 brackets using the provided self-drilling screw with a T-25 Bit.

Tip: Pre-drill with a 3/16" [4.5mm] drill bit.

Note:

- **It is recommended that all panels are attached with provided screws on the same side of the bracket when using a line post. As shown in Fig.1.**
- **Only one screw is needed to secure the bracket to the panel.**

Fig. 1

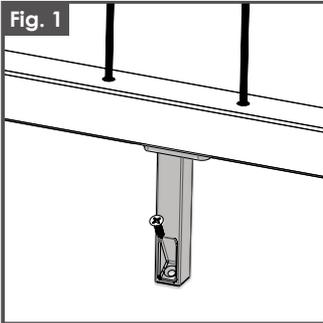


Step 5. Attach I-Support To Deck

1. Fasten I-Support to deck surface with the supplied Phillips Head Wood Screw.

Tip: Pre-drill with a 1/16" [1.5mm] drill bit.

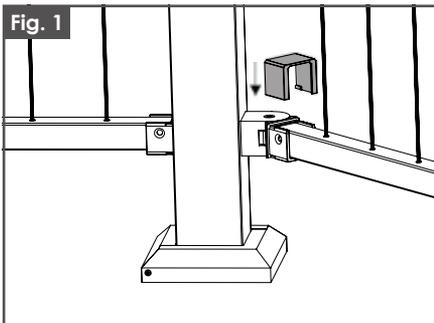
Fig. 1



Step 6. Install Bracket Cover

1. Bracket Caps snap down over Bracket Cups.
2. Use a broom or compressor to remove debris from railing and deck surface.

Fig. 1



ANGLE BRACKET: TENSIONING CABLE

- Reference page 38 for tensioning steps.

ANGLE BRACKET: ROUND & FLAT ACCENT TOP RAIL (ATR)

- Reference page 12 for OTP Round ATR steps and page 23 for Proud Post Round ATR steps.
- Reference page 16 for OTP Flat ATR steps and page 25 for Proud Post Flat ATR steps.

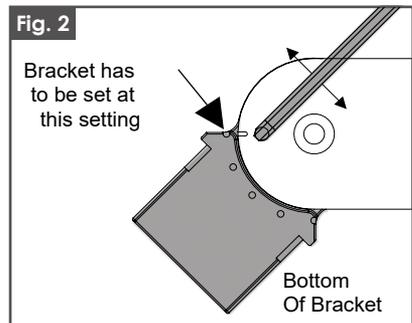
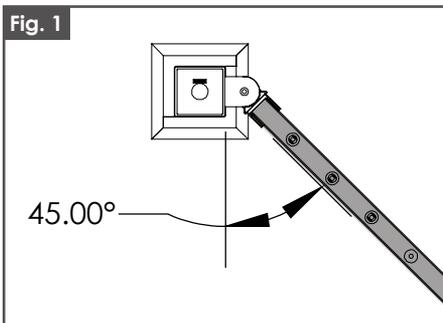
ANGLE BRACKET: ROUND & FLAT ATR MITER SPlice

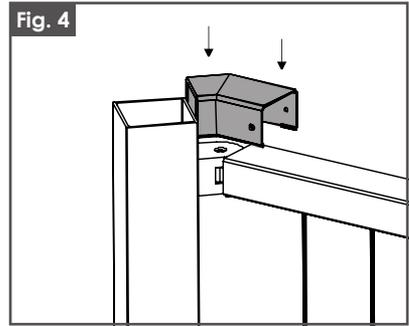
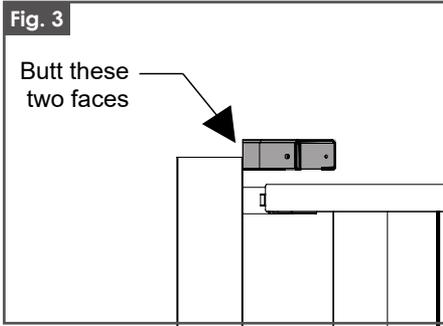
Step 1. ATR Angle Splice (Proud Post)

1. Use 3/32" [2.5mm] hex wrench to tighten set screw and lock Angle Bracket at 45° degree position. As shown in Fig. 1, 2.
2. Place Angle Splice on top of ATR butting up the end face of the splice to the face of the 3" [76mm] post. As shown in Fig 3, 4.
3. A Rubber Mallet might need to be used to install. If using a Rubber Mallet, use a cloth to protect the ATR from damage.
4. Secure Angle Splice with two #6-20 x 1/2" [12.5mm] self-drilling screws.

Note:

- **Angle Splice only works if brackets are angled at the 45° degree setting.**



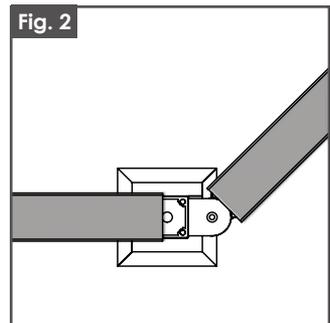
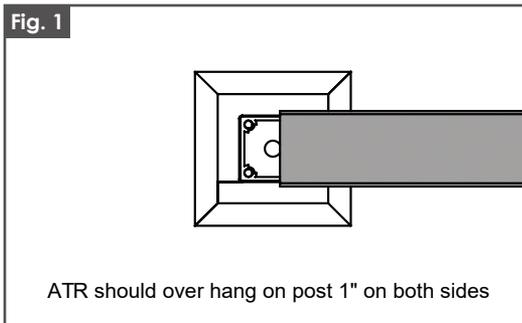


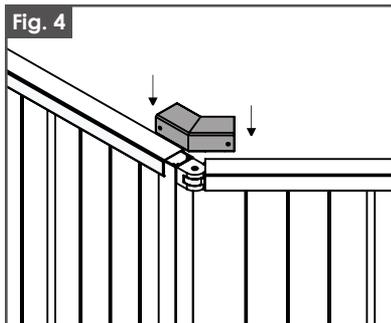
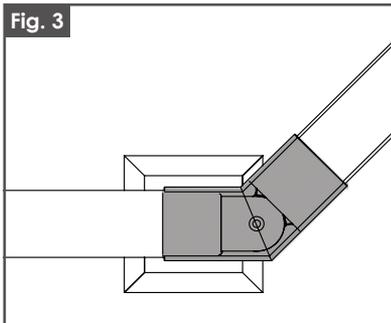
Step 2. ATR Angle Splice (OTP)

1. Install ATRs and Spacers opposite of the Angle Bracket first.
2. Measure from the inside of the post and add 2" [51 mm] to the over all length.
3. Install ATRs and Spacers on the Angle side measuring from the end of the Bracket Cup adding 2-1/2" [63.5mm] to the overall length.
4. Once both ATRs are installed center Angle Splice over Angle Bracket.
5. Secure Angle Splice on ATRs with a Rubber Mallet.

Note:

- **ATR should overhang Post 1" [25.5mm] on each side.**



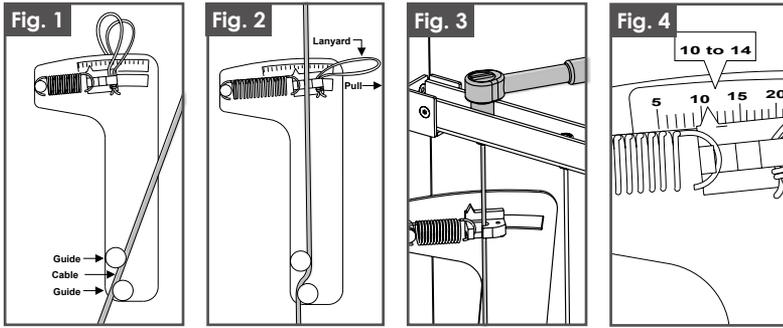


TENSIONING CABLE

Step 1. Tensioning the AL¹³ HOME Vertical Cable Panel

DO NOT OVER TIGHTEN CABLES

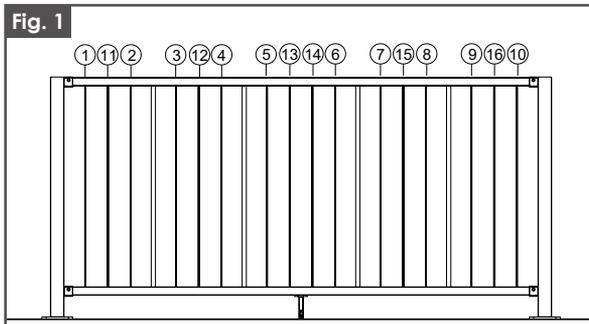
1. Use a Fortress Cable Tension Gauge to accurately tension the cables.
2. A properly tensioned cable should be tensioned until the indicator reads between 10 and 14.
3. The AL¹³ HOME Vertical Cable System uses 1/8" [3mm] diameter cable.
4. See images below for information on how to load cable into the tension gauge:
 - Position cable between lower guides. As shown in Fig. 1.
 - Pull the lanyard and extend the spring until the cable is engaged with the hook in the indicator slide. As shown in Fig.2.
 - Use a 1/2" [13mm] Socket Wrench to tighten the cable. As shown in Fig. 3.
 - Tighten cable until the indicator arrow is between 10 and 14 on the tension gauge. As shown in Fig. 4.



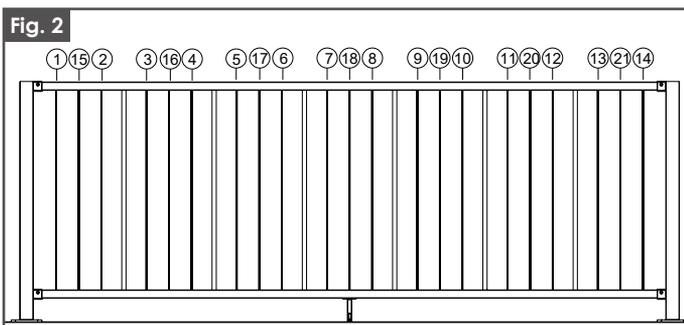
Step 2. Cable Tensioning Sequence

1. Remove the slack from the cables using the socket wrench. Once the slack is removed, only tension the cables one turn at a time in the sequence shown to maintain even tensioning across the panel.
2. Once cables are tensioned to the proper range on the tension gauge, you may now move onto the next steps.

6' Rail Sequence



8' Rail Sequence



CARE & MAINTENANCE

Care And Maintenance Of Fortress Railing Products Powder-Coated Products And Surfaces:

- Immediately after installation of your Fortress Railing Products, clean powder-coated products and surfaces with a solution of warm water and non-abrasive, pH neutral detergent solution. Surfaces should be thoroughly rinsed after cleaning to remove all residues. All surfaces should be cleaned using a soft cloth or sponge.
- Ensure construction materials such as concrete, plaster, and paint splashes are removed immediately before they have a chance to dry. Failure to remove these materials may cause damage to the powder-coated surfaces.
- The frequency of cleaning depends in part on the standard of appearance and also the requirements to remove deposits that may cause damage to the powder coating after prolonged exposure. Fortress recommends cleaning in three to four monthly intervals all products and powder-coated surfaces. In areas where higher traffic, increased atmospheric substances, or other effects may occur, the time period between cleanings should be increased to monthly intervals.
- **WARNING: Do not use strong solvents such as thinners, or solutions containing chlorinated hydrocarbons, esters, or ketones. Abrasive cleaners or cutting compounds should not be used.**

WARRANTY

Fortress Railing Products warrants its Fortress AL¹³ HOME Aluminum Railing Products and accessories to be free from manufacturing defects in materials and workmanship to the original consumer purchaser for a limited lifetime period. In addition to manufacturing defects, this limited warranty covers cracking, peeling, and blistering of the finish and extensive corrosion of the AL¹³ HOME Aluminum Railing Products. Corrosion is termed extensive when there are multiple rust-through perforation instances on the same piece of product.

This warranty does not cover damages caused by abnormal or improper use, improper product application, accident, alteration, welding, neglect, abuse, vandalism, lawn care equipment damage, abrasion, harsh chemicals, pool chemicals or chemicals for ice removal, air pollutants, improper service of installation or lack of service, building settlement, or damage caused by flood, fire or acts of god. Surface corrosion from scratches, nicks, and dents are not covered. For product located within 1 mile or less from the coast line, this limited warranty is for a period of 7 years from the date of purchase. AL¹³ HOME aluminum railing products that have had direct contact with salt water are excluded from this warranty.

The homeowner or contractor must submit a warranty claim online at <https://www.Fortressrailing.Com/Warranties/> and click on the “submit a warranty claim” button. Required documentation includes: proof of purchase, 4-6 photos of the product and jobsite, manufacturing date code and/or lot tag, which is included with all Fortress Railing Products. The original consumer purchaser will be notified by fortress railing products as to whether this warranty claim is approved or denied.

Conditions And Exclusions Of This Warranty

THIS WARRANTY IS NOT TRANSFERABLE. THE AMOUNT OF YOUR RESTITUTION WILL NOT INCLUDE LABOR TO REMOVE EXISTING COMPONENTS OR INSTALL THE REPLACEMENT COMPONENTS, SHIPPING CHARGES, SALES TAX, OR ANY OTHER CHARGES, NOR IS FORTRESS RAILING PRODUCTS REQUIRED TO PROVIDE SUCH LABOR OR SERVICE.

THIS LIMITED WARRANTY IS IN LIEU OF ALL OTHER EXPRESS WARRANTIES. FORTRESS RAILING PRODUCTS MAKES NO OTHER EXPRESS WARRANTIES AND DOES NOT AUTHORIZE ANY OTHER PERSON OR AGENT TO MAKE ANY OTHER EXPRESS WARRANTIES. FORTRESS RAILING PRODUCTS NEITHER ASSUMES NOR AUTHORIZES ANY OTHER LIABILITY OR OBLIGATION IN WARRANTY, INCLUDING WITHOUT LIMITATION, THE IMPLIED WARRANTIES OF MERCHANTABILITY AND FITNESS FOR A PARTICULAR PURPOSE WITH RESPECT TO THIS PRODUCT. IN NO EVENT SHALL FORTRESS RAILING PRODUCTS BE LIABLE FOR ANY CONSEQUENTIAL, SPECIAL, OR INCIDENTAL DAMAGES ARISING OUT OF OR CONNECTED WITH THE PURCHASE OF OR THE USE OF THIS PRODUCT FOR ANY BREACH OF WARRANTY.

This agreement shall be governed by and construed in accordance with the laws of the state of Texas, without regards to its conflict of laws. Any legal action arising out of the agreement shall be litigated and enforced under the laws of the state of Texas. In addition, you agree to submit to the jurisdiction of the courts of the state of Texas, and that any legal action pursued by you shall be within the exclusive jurisdiction of the courts in the state of Texas, U.S.A.

SOME STATES DO NOT ALLOW LIMITATIONS ON HOW LONG AN IMPLIED WARRANTY LASTS, OR THE EXCLUSION OR LIMITATION OF INCIDENTAL OR CONSEQUENTIAL DAMAGES, SO THE ABOVE LIMITATIONS OR EXCLUSION MAY NOT APPLY TO YOU. THIS WARRANTY GIVES YOU SPECIFIC LEGAL RIGHTS, AND YOU MAY HAVE OTHER RIGHTS THAT VARY FROM STATE TO STATE. THIS WARRANTY IS APPLICABLE ONLY TO SYSTEMS INSTALLED WITHIN THE CONTINENTAL UNITED STATES AND CANADA.



INTRODUCTION

LIRE ENTIÈREMENT LES INSTRUCTIONS AVANT DE COMMENCER L'INSTALLATION.

L'installateur doit s'assurer de respecter les codes et toutes les exigences de sécurité, et d'obtenir tous les permis requis. L'installateur de la terrasse et de la rampe doit déterminer et mettre en pratique les techniques d'installation qui conviennent à chaque situation. Fortress Railing Products et ses distributeurs ne peuvent être tenus responsables des installations mal faites ou dangereuses.

Les poteaux Fortress AL¹³ HOME doivent toujours être fixés à la charpente de la terrasse. Ils ne doivent jamais être fixés uniquement aux planches de la terrasse.

Remarque

Lors de la coupe de la rampe Fortress, il est très important de faire ce qui suit aux points de coupe.

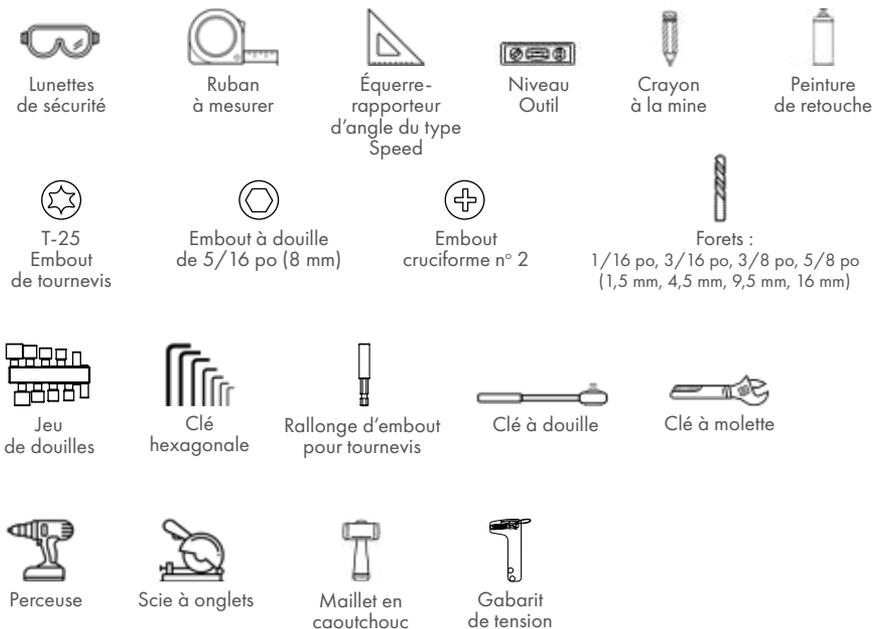
- Enlever tous les copeaux métalliques de la zone de coupe.
- Limer les arêtes coupantes produites par la coupe. Bien essuyer et enlever les copeaux de limage, la saleté ou la poussière de la rampe.
- Appliquer deux couches de peinture de retouche au zinc Fortress sur la zone de coupe. Si la retouche a été appliquée aux extrémités de la rampe, laisser sécher la peinture avant de fixer le poteau dans les étriers.
- Bien enlever les copeaux métalliques de la surface de la terrasse ou du balcon pour qu'elle ne soit pas tachée.

Consignes de sécurité relatives aux embouts Torx

- Toujours régler la perceuse à la vitesse la plus basse.
- Pour diminuer le risque de briser l'embout, commencer le serrage en réglant la perceuse à un couple bas et augmenter graduellement le couple jusqu'à ce que la vis soit enfoncée.

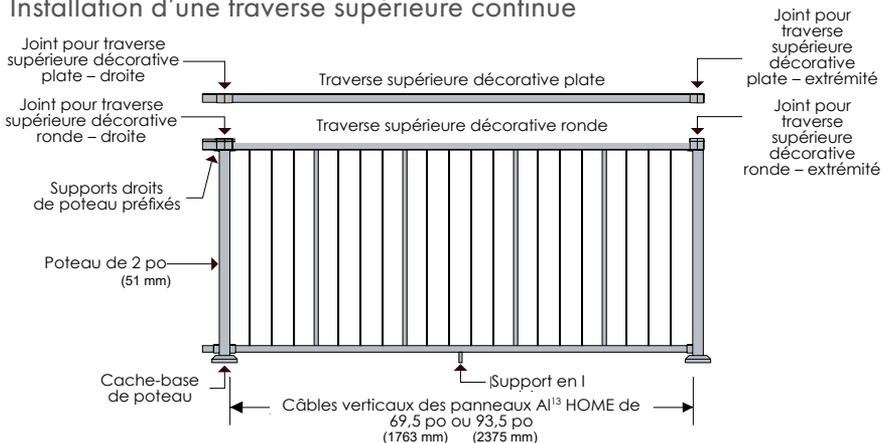
Conseil : Percer des avant-trous avec un foret de 3/16 po (4,5 mm)

Outils requis

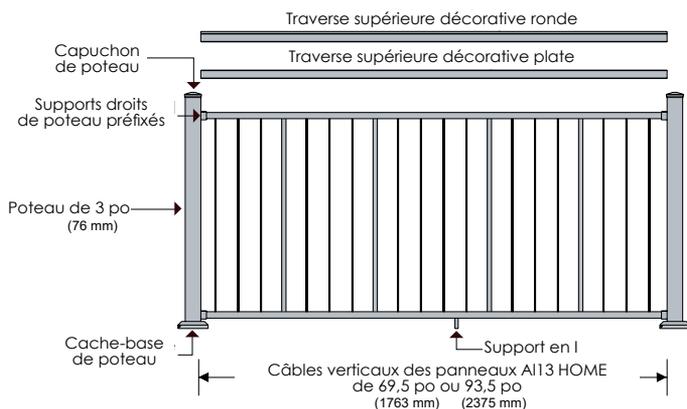


Types d'installation des câbles verticaux AI¹³ HOME

Installation d'une traverse supérieure continue



Poteaux en saillie

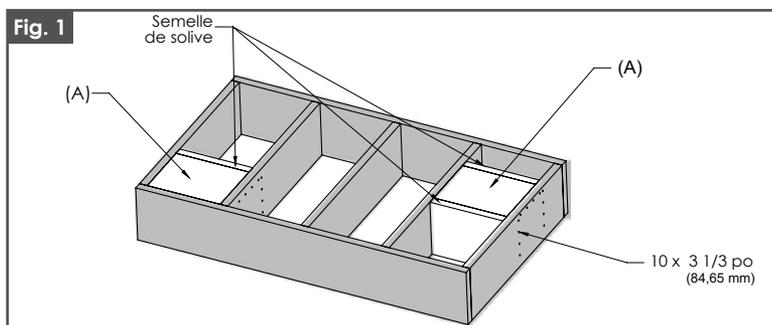


TRAVERSE SUPÉRIEURE CONTINUE ET POTEAU EN SAILLIE : MONTAGE DU POTEAU

* Si vous utilisez le système Evolution de Fortress, communiquez avec Fortress pour obtenir les instructions.

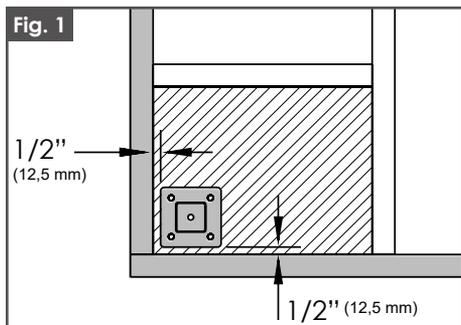
Étape 1 Installation des semelles en bois

1. Installer la semelle de niveau avec la face supérieure de la solive, comme montré à la figure 1 (A).
 2. Fixer les semelles de bois des quatre côtés à l'aide de vis à terrasse n° 10 X 3 ½ po (89 mm).
- Les semelles doivent être en bois de construction traité d'une épaisseur minimum de 1 ½ po (38 mm).



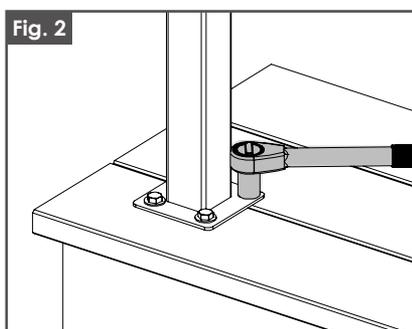
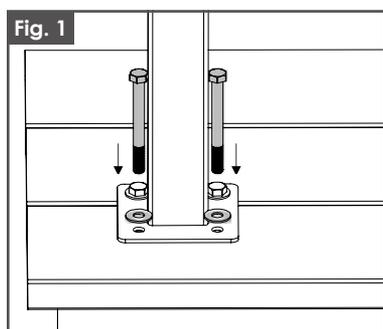
Étape 2 Positionner la plaque d'ancrage

1. Placer le bord de la plaque d'ancrage Al¹³ HOME à au moins ½ po (12,5 mm) du bord intérieur de la solive de bordure, comme montré à la figure 1.



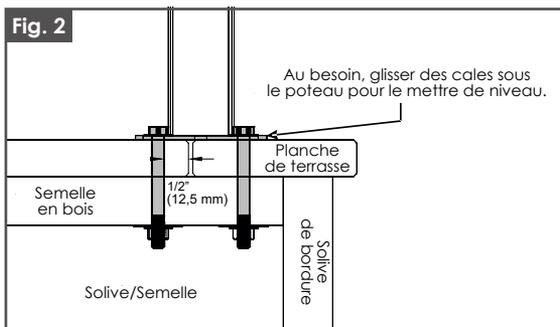
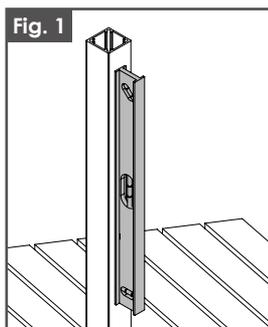
Étape 3 Installer les poteaux

1. Marquer l'emplacement des trous de montage, puis faire des avant-trous de 3/8 po (9,5 mm) de diamètre.
2. Insérer des boulons à tête hexagonale galvanisés de 3/8 po x 3 1/2 (9,5 mm x 89 mm) dans des rondelles galvanisées de 3/8 po (9,5 mm) et la plaque d'ancrage du poteau.
 - Les trous de montage de la plaque d'ancrage du poteau DOIVENT être situés à au moins 1/2 po (12,5 mm) du rebord de la planche de terrasse.
 - N'utiliser que des boulons à tête hexagonale galvanisés de 3/8 po (9,5 mm). NE PAS utiliser de tire-fond. Fixer chaque poteau à l'aide de quatre boulons.



Étape 4 Vérifier les poteaux installés

1. Au besoin, glisser des cales sous le poteau pour le mettre de niveau.

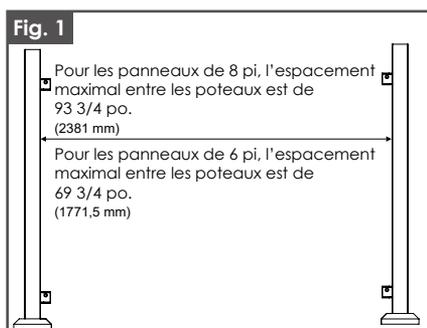


Étape 5 Espacement maximal des poteaux

- Pour les panneaux de 8 pi, l'espacement maximal entre les poteaux est de 93 3/4 po (2381 mm).
- Pour les panneaux de 6 pi, l'espacement maximal entre les poteaux est de 69 3/4 po (1771,5 mm).

Remarque :

- Ne pas dépasser l'espacement maximal entre les poteaux.

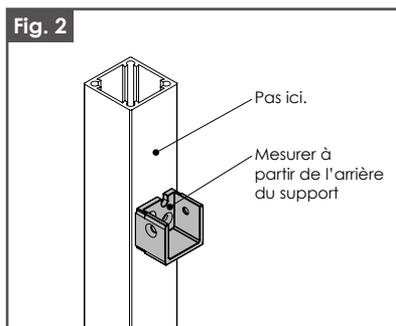
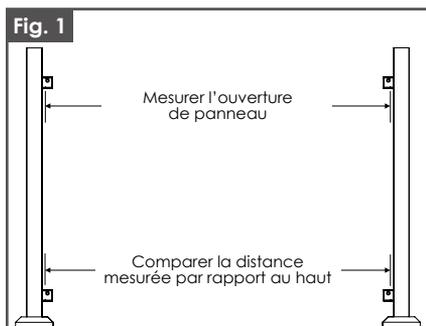


Étape 6 Mesurer l'ouverture de panneau

- Mesurer la longueur de l'ouverture de panneau, comme montré à la figure 1.
- Vérifier que la mesure est la même pour les supports supérieurs et pour les supports inférieurs.

Remarque :

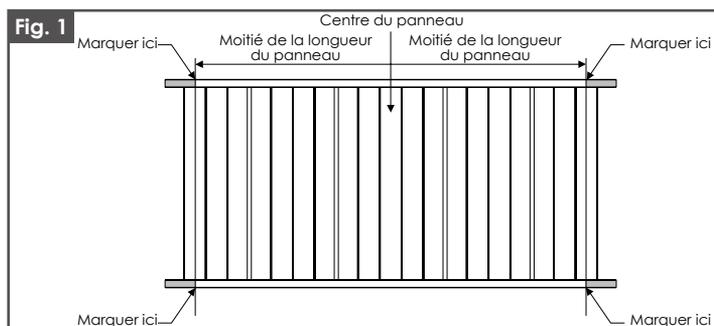
- Mesurer la distance entre la paroi arrière du support d'un poteau et la paroi arrière du support de l'autre poteau, comme montré à la figure 2.



TRAVERSE SUPÉRIEURE CONTINUE ET POTEAU EN SAILLIE : COUPE DES PANNEAUX

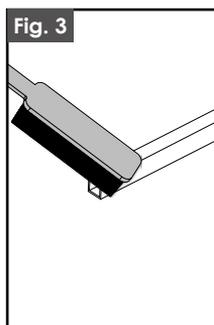
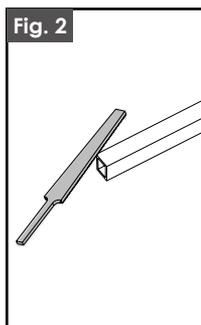
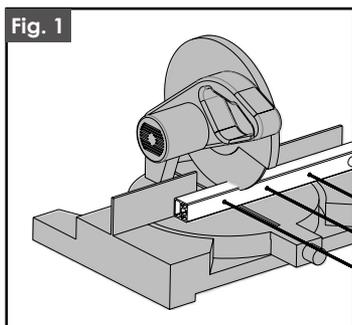
Étape 1 Mesurer et marquer les points de coupe sur les panneaux

1. Pour confirmer que le panneau est symétrique, il faut prendre la mesure indiquée à la page 7 (étape 6) et la diviser en 2. Couper une longueur égale de chaque extrémité.
2. Trouver le centre du panneau et mesurer la moitié de la longueur dans chaque direction.
3. Marquer les emplacements sur les traverses supérieure et inférieure avec un crayon à la mine.



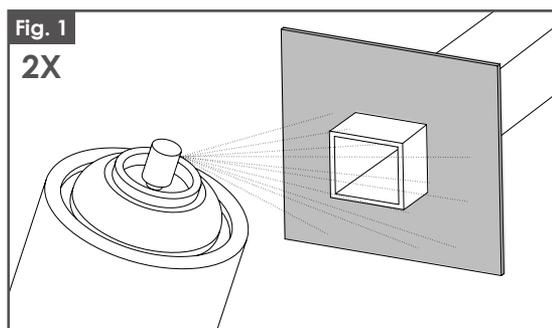
Étape 2 Couper et nettoyer le panneau

1. Couper les traverses avec une scie dotée d'une lame fine à dents au carbure.
2. Limer les bords de coupe.
3. Enlever les copeaux métalliques et la poussière avec une brosse ou un chiffon.
4. S'assurer que les surfaces à peindre sont propres.



Étape 3 Vaporiser de la peinture sur les zones de coupe.

1. À l'aide d'une pièce de carton pour masquer, appliquer la première couche de peinture de retouche au zinc Fortress.
2. Laisser sécher avant d'appliquer une deuxième couche.
3. Appliquer la deuxième couche de peinture de retouche à base de zinc Fortress.
4. Laisser sécher la peinture, puis installer le panneau.

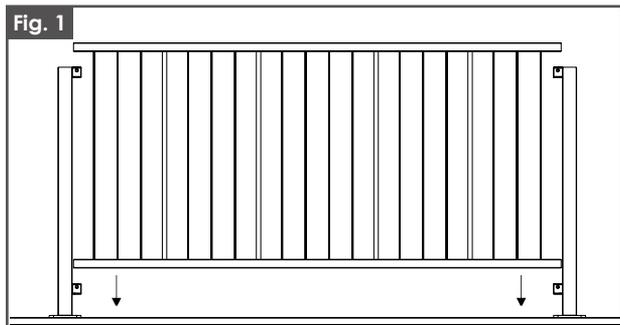


INSTALLATION DE LA TRAVERSE SUPÉRIEURE CONTINUE

Étape 1 Effectuer un essai d'ajustement du panneau

1. Insérer le panneau coupé de façon qu'il soit bien ajusté.

Fig. 1



Étape 2 Installer le support en L sur le panneau

1. Installer le support en L sur le dessous de la traverse inférieure avec les 2 vis auto-perceuses à tête cruciforme fournies, comme montré à la figure 1.

Fig. 1

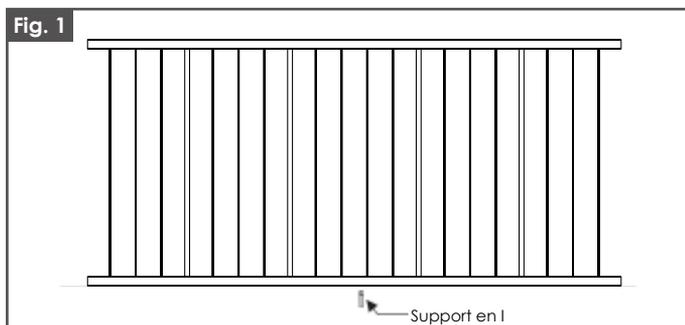
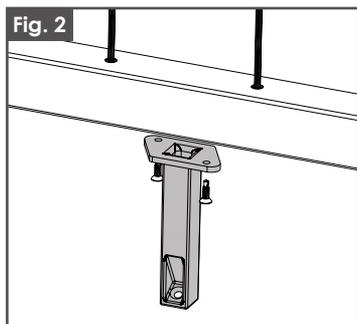
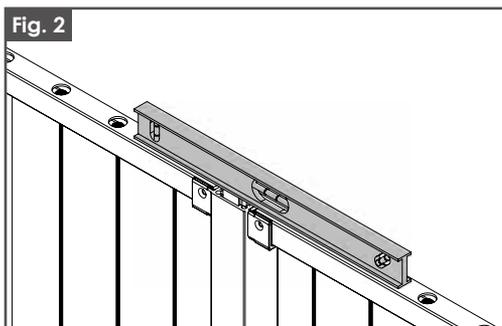
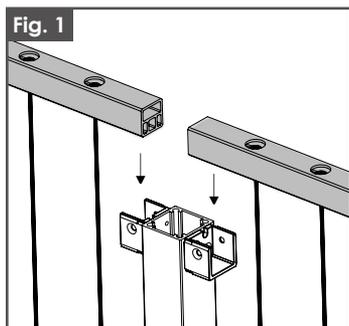


Fig. 2



Étape 3 Installer le panneau

1. Veiller à ce que tous les panneaux soient à la même hauteur avant de les fixer au poteau.
- L'utilisation d'une entretoise de traverse supérieure décorative ou d'un élément de blocage pourrait être nécessaire pour mesurer la hauteur par-dessus un poteau.



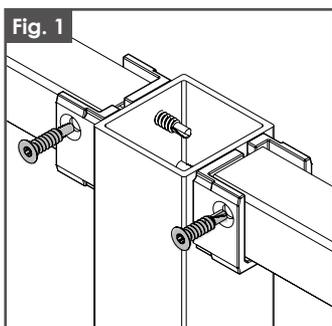
Étape 4 Installer les vis

1. Fixer le panneau à chacun des 4 supports au moyen des vis autoperceuses fournies avec un embout T-25.

Conseil : Percer des avant-trous avec un foret de 3/16 po (4,5 mm).

Remarque :

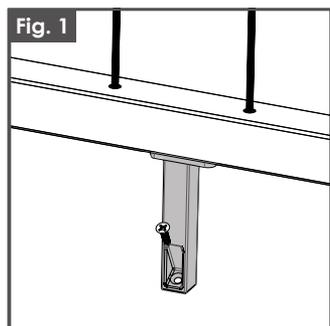
- Il est recommandé de fixer tous les panneaux avec les vis fournies du même côté du support, lors de l'utilisation d'un poteau droit. Voir la figure 1.
- Une seule vis est requise pour fixer le support sur le panneau.



Étape 5 Fixer le support en I à la terrasse

1. Installer le support en I sur la surface de la terrasse avec les 2 vis à bois à tête cruciforme fournies.

Conseil : Percer des avant-trous avec un foret de 1/16 po (1,5 mm).



TRAVERSE SUPÉRIEURE CONTINUE : MISE SOUS TENSION DES CÂBLES

- Voir la page 38 pour les étapes à suivre.

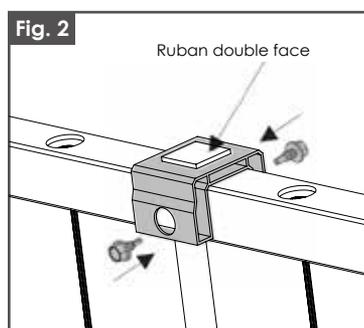
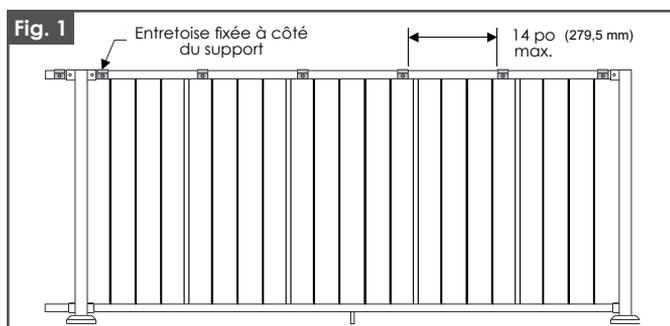
TRAVERSE SUPÉRIEURE CONTINUE : TRAVERSE SUPÉRIEURE DÉCORATIVE ARRONDIE

Étape 1 Entretoises de traverse supérieure décorative arrondie

1. Fixer les entretoises au moyen des vis autoperceuses fournies (2 vis par entretoise) avec un tournevis à douille de 5/16 po (8 mm), comme montré à la figure 2.
 - La trousse de traverse supérieure décorative de 93,89 po (2385 mm) comprend 7 entretoises, celle de 69,89 po (1775 mm) en comprend 6 et celle de 189,78 po (4826 mm) en compte 14.
 - Les entretoises doivent être placées à intervalles réguliers sur la longueur de la traverse, à 14 po (279,5 mm) les unes des autres au maximum, comme montré à la figure 1.
 - Les entretoises d'extrémité doivent être placées le plus près possible des supports d'extrémité.

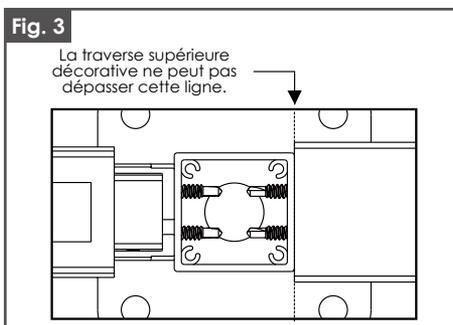
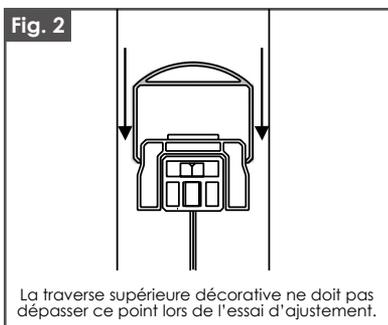
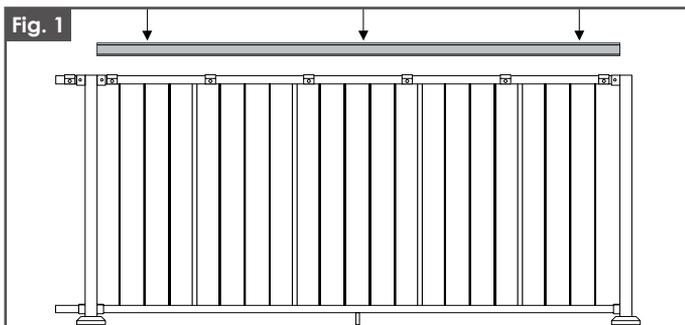
Remarque :

- NE PAS ENLEVER L'ENDOS DU RUBAN ADHÉSIF DOUBLE FACE TANT QUE VOUS N'ÊTES PAS PRÊT À FIXER DE FAÇON PERMANENTE LA TRAVERSE SUPÉRIEURE DÉCORATIVE.



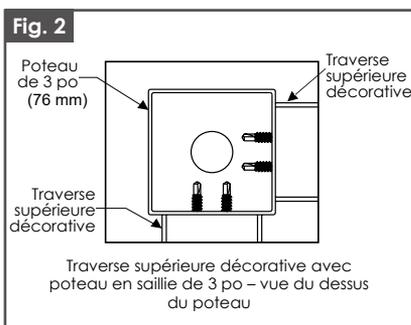
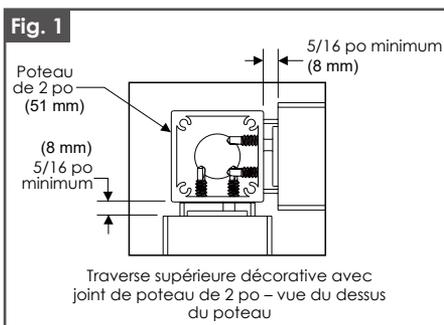
Étape 2 Traverse supérieure décorative arrondie et poteaux d'extrémité

1. Mesurer la distance entre le bord intérieur des deux poteaux.
2. Couper la traverse supérieure décorative à la longueur mesurée.
3. La traverse supérieure décorative ne peut pas bloquer le bord intérieur du poteau. Voir la figure 3.
4. Lors de l'essai d'ajustement de la traverse supérieure décorative, la placer au-dessus des entretoises. Ne pas presser la traverse supérieure décorative sur les entretoises. Il est risqué d'endommager la traverse et l'entretoise lorsqu'on enlève la traverse de l'entretoise. Voir la figure 2.
5. Retirer l'endos des morceaux de ruban double face sur les entretoises de la traverse supérieure décorative.
6. Il peut être nécessaire d'utiliser un maillet en caoutchouc. Dans ce cas, placer une pièce de tissu sur la traverse pour ne pas l'endommager.



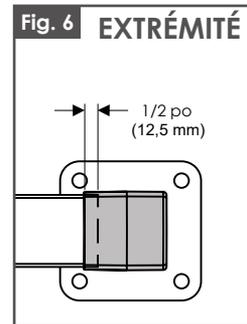
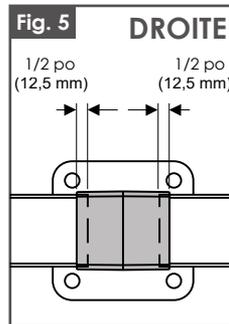
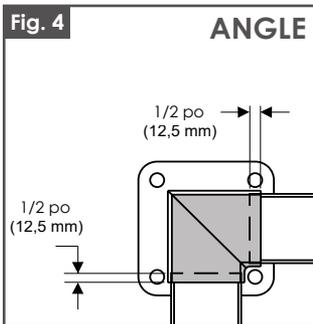
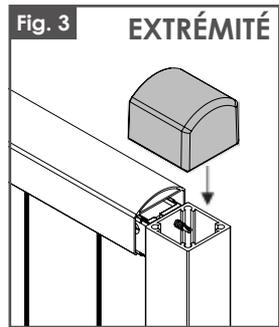
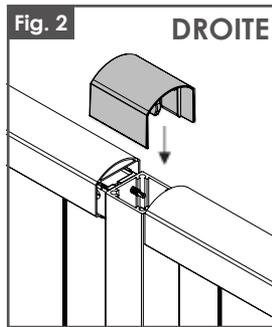
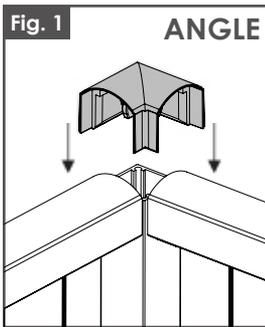
Étape 3 Installation des traverses supérieures décoratives aux angles

1. Lors de l'installation des traverses supérieures décoratives aux angles avec un poteau de 2 po (51 mm), les traverses doivent être placées à 5/16 po (8 mm) du poteau. Voir la figure 1.
2. Lors de l'installation en angle avec un poteau en saillie de 3 po (76 mm), poser la traverse supérieure décorative sur toute la longueur entre le bord intérieur du poteau et le bord intérieur de l'autre poteau.



Étape 4 Joint de traverses supérieures décoratives arrondies

1. Pour poser un joint de traverse supérieure décorative : centrer le joint sur le poteau et, en exerçant une pression, l'enfoncer sur la traverse, comme montré aux figures 1, 2 et 3.
2. Il peut être nécessaire d'utiliser un maillet en caoutchouc. Dans ce cas, placer une pièce de tissu sur le joint pour ne pas l'endommager.
 - Positionner les joints de traverse supérieure décorative par rapport à l'intérieur du poteau et les enclencher autour de la traverse.
 - Les joints de traverse supérieure décorative permettent un écart de longueur jusqu'à $\frac{1}{2}$ po (12,5 mm) à partir du bord du poteau. Voir les figures 4, 5 et 6.



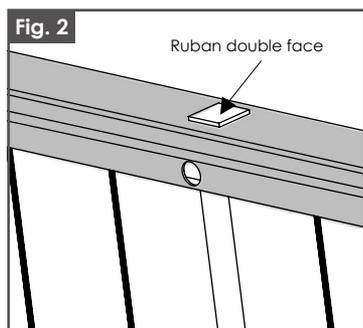
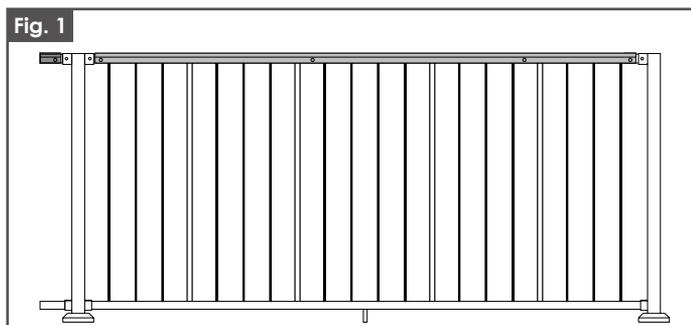
TRAVERSE SUPÉRIEURE DÉCORATIVE PLATE

Étape 1 Entretoises de traverse supérieure décorative plate

1. Mesurer la distance entre les entretoises et couper la traverse supérieure décorative à la longueur mesurée. L'entretoise peut être 1/4 po (6,5 mm) plus courte que la distance entre les entretoises.
2. Si l'un des trous de vis a été coupé au cours du dimensionnement de l'entretoise, utiliser un foret de 5/8 po (16 mm) pour ajouter un trou à 1 po de l'extrémité de la traverse supérieure décorative.
3. Fixer les entretoises au moyen des vis autoperceuses fournies avec un tournevis à douille de 5/16 po (8 mm).
4. Une vis doit être installée dans chacun des trous de vis.

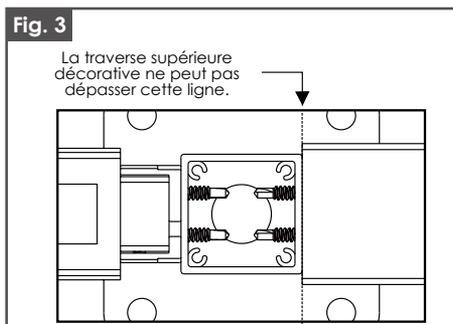
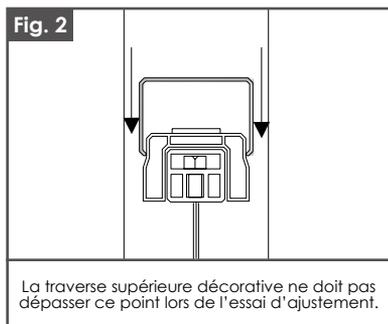
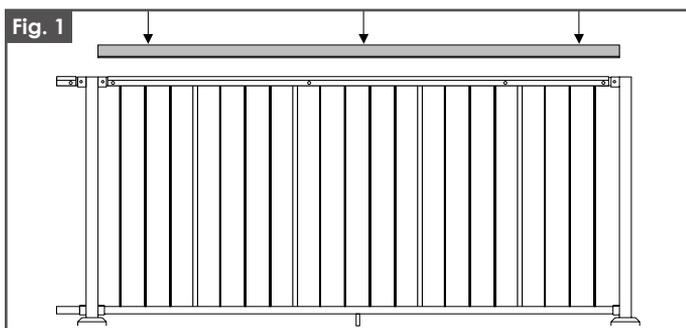
Remarque :

- La traverse supérieure décorative plate demande une entretoise pleine longueur.
- **NE PAS ENLEVER L'ENDOS DU RUBAN ADHÉSIF DOUBLE FACE TANT QUE VOUS N'ÊTES PAS PRÊT À FIXER DE FAÇON PERMANENTE LA TRAVERSE SUPÉRIEURE DÉCORATIVE.**



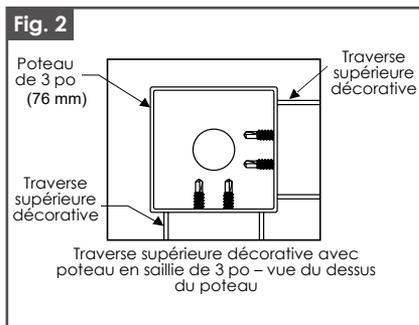
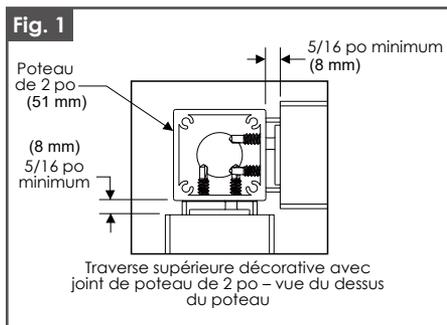
Étape 2 Traverse supérieure décorative plate – droite et d'extrémité

1. Mesurer la distance entre le bord intérieur des deux poteaux.
2. Couper la traverse supérieure décorative à la longueur mesurée.
3. La traverse supérieure décorative ne peut pas bloquer le bord intérieur du poteau.
4. Lors de l'essai d'ajustement de la traverse supérieure décorative, la placer au-dessus des entretoises. Ne pas presser la traverse supérieure décorative sur les entretoises. Il est risqué d'endommager la traverse et l'entretoise lorsqu'on enlève la traverse de l'entretoise.
5. Retirer l'endos des morceaux de ruban double face sur les entretoises de la traverse supérieure décorative.
6. Il peut être nécessaire d'utiliser un maillet en caoutchouc. Dans ce cas, placer une pièce de tissu sur la traverse pour ne pas l'endommager.



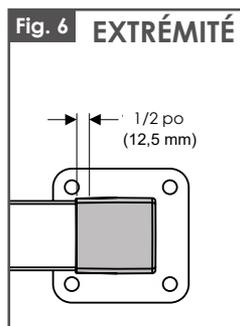
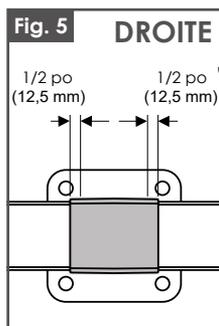
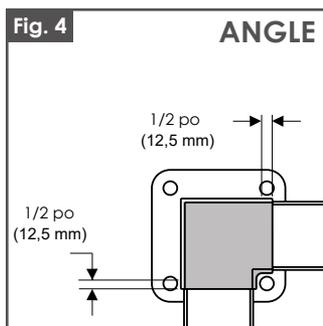
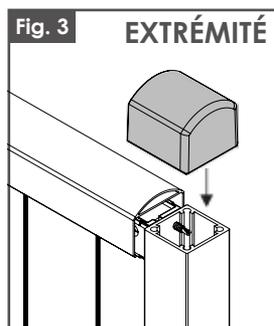
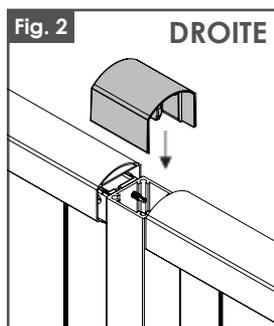
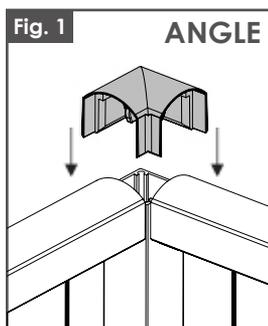
Étape 3 Angle de traverse supérieure décorative plate

1. Lors de l'installation des traverses supérieures décoratives aux angles avec un poteau de 2 po (51 mm), les traverses doivent être placées à 5/16 po (8 mm) du poteau. Voir la figure 1.
2. Lors de l'installation en angle avec un poteau en saillie de 3 po (76 mm), poser la traverse supérieure décorative sur toute la longueur entre le bord intérieur du poteau et le bord intérieur de l'autre poteau. Voir la figure 2.



Étape 4 Joint pour traverse supérieure décorative plate

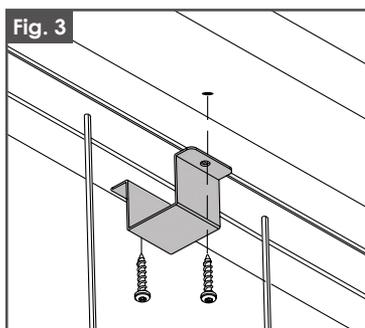
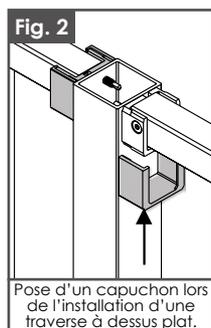
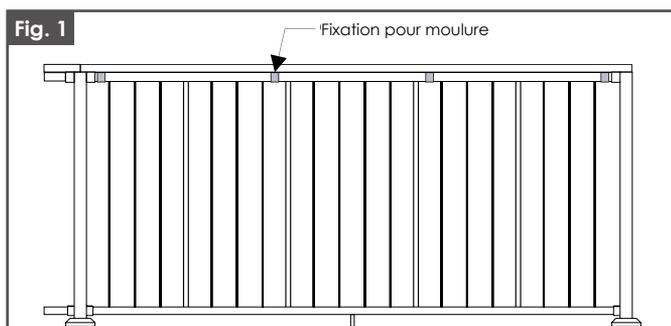
1. Pour poser un joint de traverse supérieure décorative : centrer le joint sur le poteau et, en exerçant une pression, l'enfoncer sur la traverse.
2. Il peut être nécessaire d'utiliser un maillet en caoutchouc. Dans ce cas, placer une pièce de tissu sur le joint pour ne pas l'endommager.
 - Positionner les joints de traverse supérieure décorative par rapport à l'intérieur du poteau et les enclencher autour de la traverse.
 - Les joints de traverse supérieure décorative permettent un écart de longueur jusqu'à $\frac{1}{2}$ po (12,5 mm) à partir du bord du poteau.



TRAVERSE SUPÉRIEURE CONTINUE : ÉTRIERS DE FIXATION ET CACHE-BASE DE POTEAU

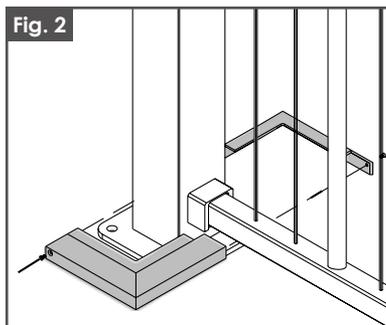
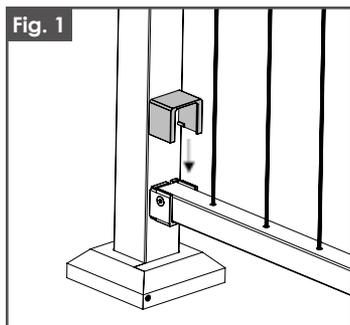
Étape 1 Étriers de fixation de traverse supérieure

1. Installer les cache-supports de traverse supérieure qui viennent avec les étriers de fixation de traverse supérieure, comme montré à la figure 2.
2. Utiliser les étriers de fixation de traverse supérieure lors de l'installation d'une traverse à dessus plat.
 - Les étriers de fixation de traverse supérieure doivent être placés à intervalles réguliers sur toute la longueur du panneau.
 - Il est recommandé de percer des avant-trous pour les vis.



Étape 2 Cache-support et cache-base de poteau

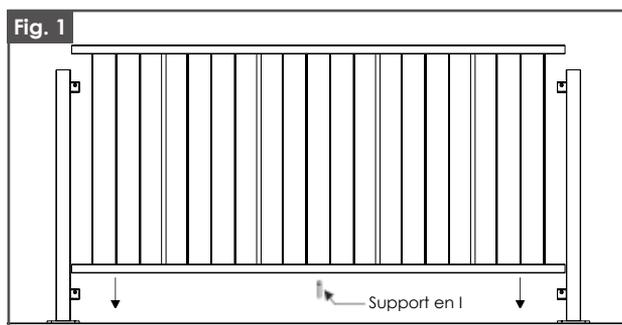
1. Les cache-supports s'enclenchent sur la partie creuse du support.
2. Désassembler le cache-base de poteau puis l'installer sur le poteau.
3. À l'aide d'un balai ou d'un compresseur, enlever les débris de la surface de la traverse et de la terrasse.



INSTALLATION D'UN POTEAU EN SAILLIE

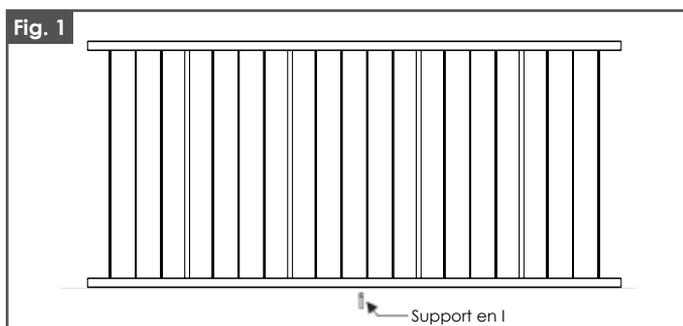
Étape 1 Effectuer un essai d'ajustement du panneau.

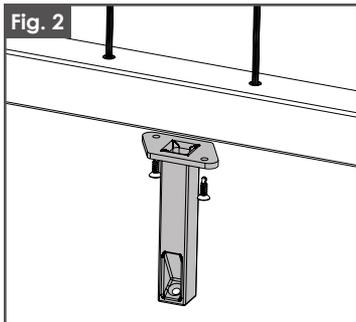
1. Installer le panneau coupé de façon qu'il soit bien ajusté.



Étape 2 Installer le support en I sur le panneau

1. Installer le support en I sur le dessous de la traverse inférieure avec les 2 vis autoperceuses à tête cruciforme fournies, comme montré à la figure 2.





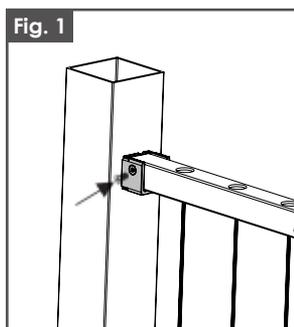
Étape 3 Installer les vis

1. Fixer le panneau à chacun des 4 supports au moyen des vis autoperceuses fournies avec un embout T-25.

Conseil : Percer des avant-trous avec un foret de 3/16 po (4,5 mm).

REMARQUE :

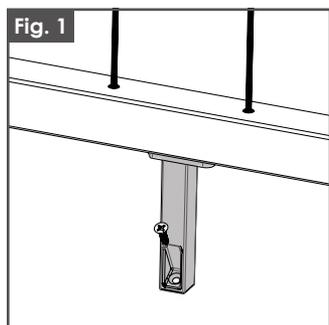
- Une seule vis est requise pour fixer le support sur le panneau.



Étape 4 Fixer le support en I à la terrasse

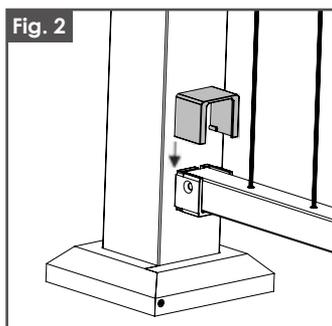
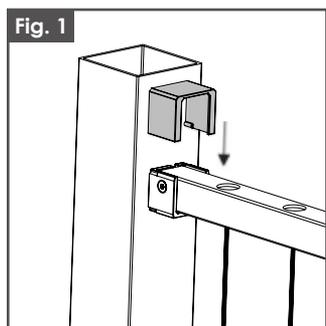
1. Installer le support en I sur la surface de la terrasse avec les 2 vis à bois à tête cruciforme fournies.

Conseil : Percer des avant-trous avec un foret de 1/16 po (1,5 mm).



Étape 5 Cache-supports

1. Les cache-supports s'enclenchent sur la partie creuse du support.
 - Si vous installez une traverse à dessus plat au moyen des étriers de fixation de traverse supérieure, le cache-support se monte sous le support. Voir la page 11 pour plus de détails.
 - Il est possible d'utiliser un cache-support supérieur lors de l'installation d'une traverse supérieure décorative, mais ce n'est pas obligatoire.



POTEAU EN SAILLIE : MISE SOUS TENSION DES CÂBLES

- Voir la page 38 pour les étapes à suivre.

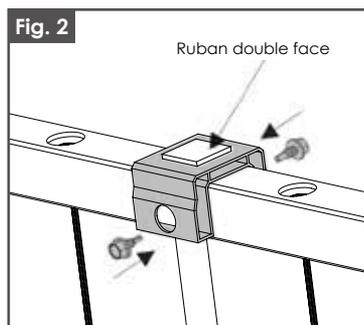
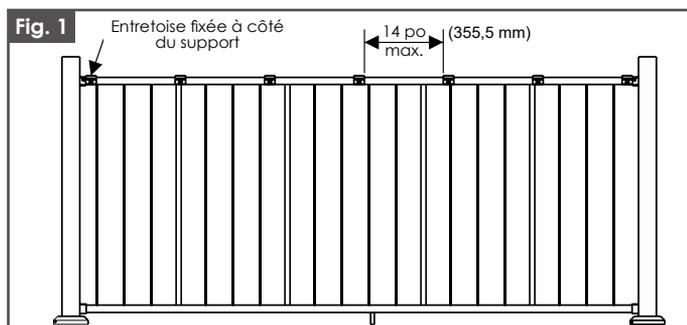
POTEAU EN SAILLIE : TRAVERSE SUPÉRIEURE DÉCORATIVE AR- RONDIE

Étape 1 Entretoises de traverse supérieure décorative arrondie

1. Fixer les entretoises au moyen des vis autoperceuses fournies (2 vis par entretoise) avec un tournevis à douille de 5/16 po (8 mm), comme montré à la figure 2.
 - La trousse de traverse supérieure décorative de 93,89 po (2385 mm) comprend 7 entretoises, celle de 69,89 po (1775 mm) en comprend 6 et celle de 189.78 po (4826 mm) en compte 14.
 - Les entretoises doivent être placées à intervalles réguliers sur la longueur de la traverse, à 14 po (279,5 mm) les unes des autres au maximum. Voir la figure 1.
 - Les entretoises d'extrémité doivent être placées le plus près possible des supports d'extrémité.

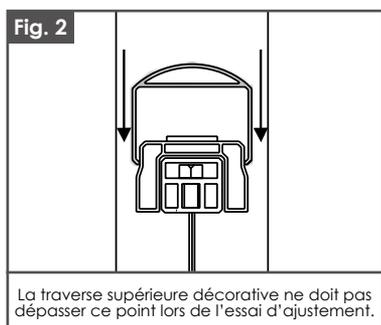
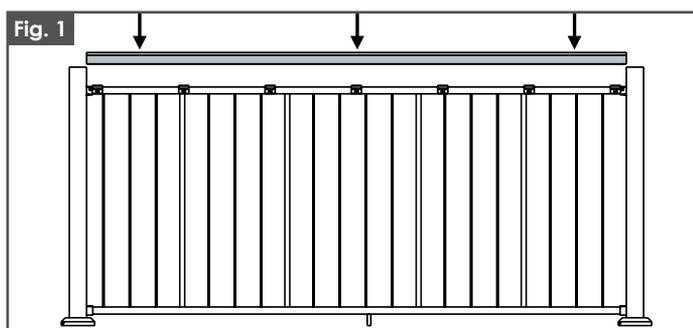
Remarque :

- NE PAS ENLEVER L'ENDOS DU RUBAN ADHÉSIF DOUBLE FACE TANT QUE VOUS N'ÊTES PAS PRÊT À FIXER DE FAÇON PERMANENTE LA TRAVERSE SUPÉRIEURE DÉCORATIVE.



Étape 2 Traverse supérieure décorative arrondie

1. Mesurer la distance entre le bord intérieur des deux poteaux.
2. Couper la traverse supérieure décorative à la longueur mesurée.
3. Lors de l'essai d'ajustement de la traverse supérieure décorative, la placer au-dessus des entretoises. Ne pas presser la traverse supérieure décorative sur les entretoises. Il est risqué d'endommager la traverse et l'entretoise lorsqu'on enlève la traverse de l'entretoise. Voir la figure 2.
4. Retirer l'endos des morceaux de ruban double face sur les entretoises de la traverse supérieure décorative.
5. Il peut être nécessaire d'utiliser un maillet en caoutchouc. Dans ce cas, placer une pièce de tissu sur la traverse pour ne pas l'endommager.



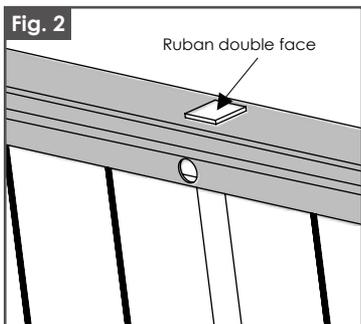
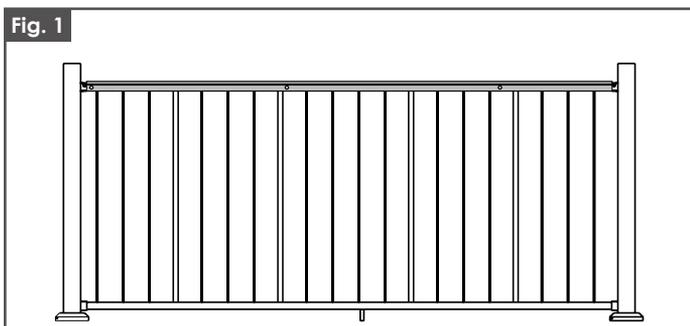
POTEAU EN SAILLIE : TRAVERSE SUPÉRIEURE DÉCORATIVE PLATE

Étape 1 Entretoises de traverse supérieure décorative plate

1. Mesurer la distance entre les entretoises et couper l'entretoise à la longueur mesurée. L'entretoise peut être 1/4 po (6,5 mm) plus courte que la distance entre les entretoises.
2. Si l'un des trous de vis a été coupé au cours du dimensionnement du panneau, utiliser un foret de 5/8 po (16 mm) pour ajouter un trou à 1 po de l'extrémité de la traverse supérieure décorative.
3. Fixer les entretoises au moyen des vis autoperceuses fournies avec un tournevis à douille de 5/16 po (8 mm).
4. Une vis doit être installée dans chacun des trous de vis.

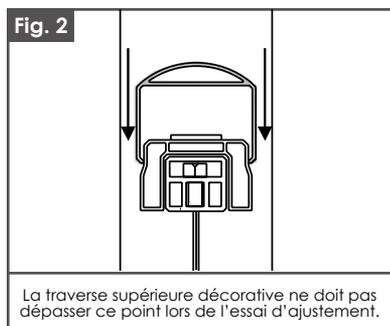
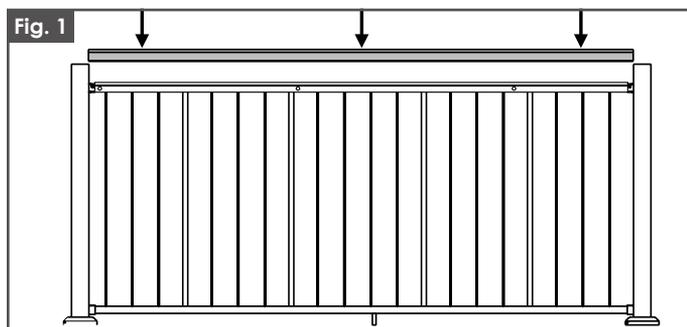
Remarque :

- La traverse supérieure décorative plate demande une entretoise pleine longueur.
- **NE PAS ENLEVER L'ENDOS DU RUBAN ADHÉSIF DOUBLE FACE TANT QUE VOUS N'ÊTES PAS PRÊT À FIXER DE FAÇON PERMANENTE LA TRAVERSE SUPÉRIEURE DÉCORATIVE.**



Étape 2 Traverse supérieure décorative plate – droite et d'extrémité

1. Mesurer la distance entre le bord intérieur des deux poteaux.
2. Couper la traverse supérieure décorative à la longueur mesurée.
3. La traverse supérieure décorative ne peut pas bloquer le bord intérieur du poteau.
4. Lors de l'essai d'ajustement de la traverse supérieure décorative, la placer au-dessus des entretoises. Ne pas presser la traverse supérieure décorative sur les entretoises. Il est risqué d'endommager la traverse et l'entretoise lorsqu'on enlève la traverse de l'entretoise. Voir la figure 2.
5. Retirer l'endos des morceaux de ruban double face sur les entretoises de la traverse supérieure décorative.
6. Il peut être nécessaire d'utiliser un maillet en caoutchouc. Dans ce cas, placer une pièce de tissu sur la traverse pour ne pas l'endommager.

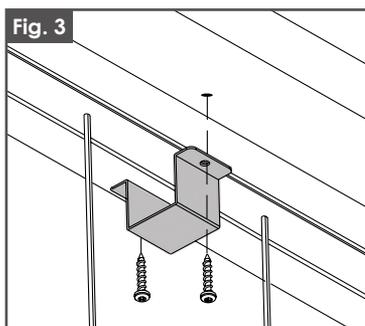
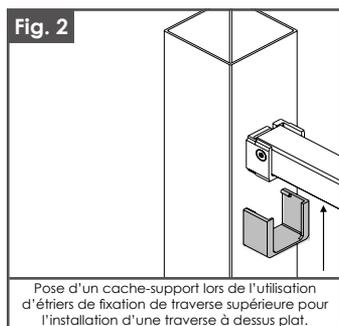
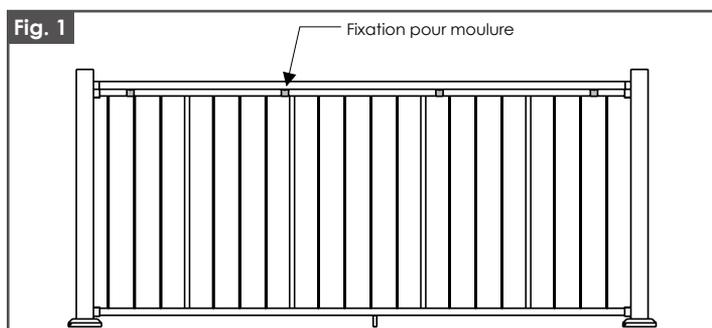


La traverse supérieure décorative ne doit pas dépasser ce point lors de l'essai d'ajustement.

POTEAU EN SAILLIE : ÉTRIERS DE FIXATION DE TRAVERSE SUPÉRIEURE, CAPUCHON DE POTEAU ET CACHE-BASE DE POTEAU

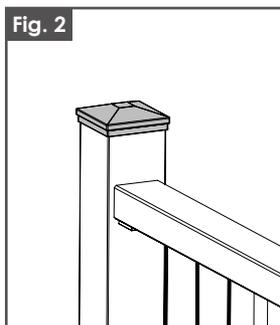
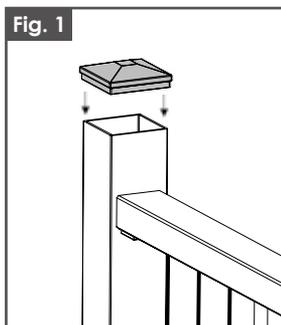
Étape 1 Étriers de fixation de traverse supérieure

1. Installer les cache-supports de traverse supérieure qui viennent avec les étriers de fixation de traverse supérieure, comme montré à la figure 2.
2. Utiliser les étriers de fixation de traverse supérieure lors de l'installation d'une traverse à dessus plat.
 - Les étriers de fixation de traverse supérieure doivent être placés à intervalles réguliers sur toute la longueur du panneau.
 - Il est recommandé de percer des avant-trous pour les vis.



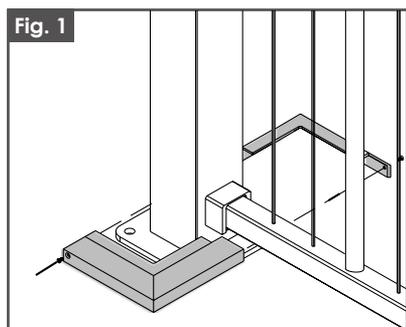
Étape 2 Capuchons de poteau Al¹³

1. Les capuchons de poteau Al¹³ HOME sont mis en place par pression.



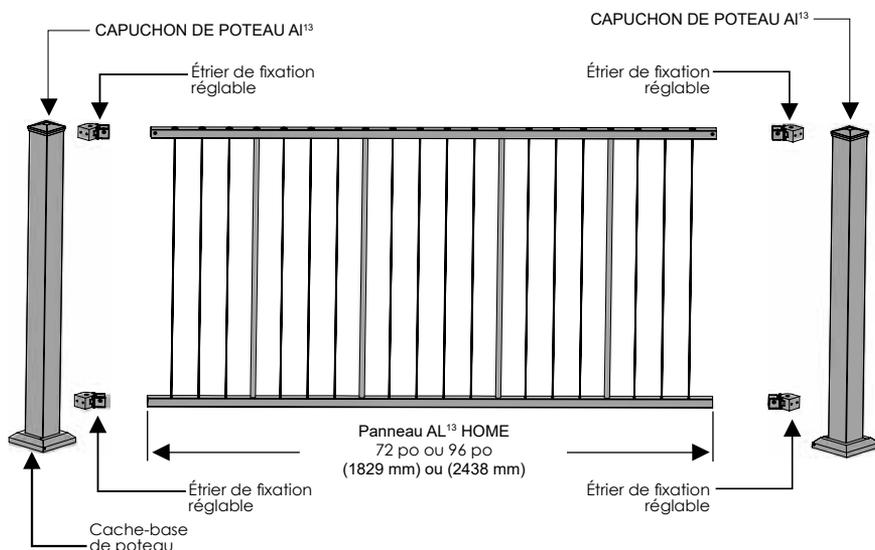
Étape 3 Cache-base de poteau

1. Désassembler le cache-base de poteau puis l'installer sur le poteau.
2. À l'aide d'un balai ou d'un compresseur, enlever les débris de la surface de la traverse et de la terrasse.



ÉTRIER DE FIXATION RÉGLABLE : OPTIONS D'ÉTRIER

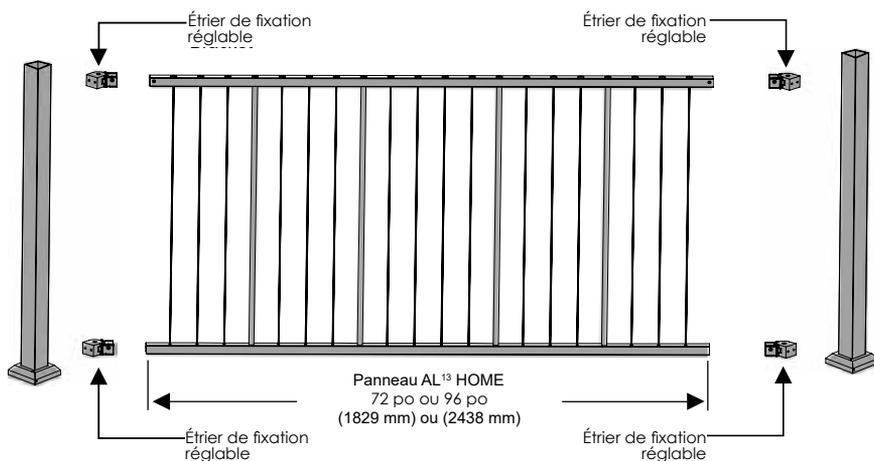
Étrier de fixation réglable de poteau en saille de 3 po (76 mm)



Configurations pour poteau en saille de 3 po (76 mm)

AL ¹³ HOME Hauteur du panneau		Panneau AL ¹³ HOME seulement	
		Hauteur du panneau installé	Poteau requis
32½ po (825,5 mm)		36 po (914 mm)	39 ½ po (1003,5 mm)
40 po (1016 mm)		42 po (1067 mm)	45 ½ po (1155,5 mm)

Étrier de fixation réglable pour traverse supérieure continue de 2 po (51 mm)



Configurations pour poteau en saillie de 2 po (51 mm)

Panneau AL ¹³ HOME seulement	
Hauteur du panneau installé	Poteau requis
32½ po (825,5 mm)	39 ½ po (1003,5 mm)
40 po (1016 mm)	45 ½ po (1155,5 mm)

AL¹³HOME
Hauteur du panneau

32½ po (825,5 mm)

40 po (1016 mm)

Panneau AL¹³ HOME seulement

Hauteur du panneau
installé

36 po (914 mm)

42 po (1067 mm)

Poteau
requis

39 ½ po (1003,5 mm)

45 ½ po (1155,5 mm)

ÉTRIER DE FIXATION RÉGLABLE : INSTALLATION DE L'ÉTRIER

Étape 1 Emplacements des trous de l'étrier de fixation réglable

1. La hauteur des panneaux installés comprend l'espace entre la surface de la terrasse et le dessous de la traverse inférieure. Les panneaux AL¹³ HOME de 32,5 po (825,5 mm) comptent un espace de 3 1/2 po (89 mm). Les panneaux AL¹³ HOME de 40 po (1016 mm) comptent un espace de 2 po (51 mm).
2. La dimension A est mesurée à partir de la surface inférieure de la base du poteau.

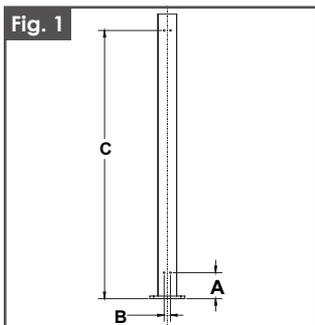


Fig. 2

Hauteur du panneau

1	32½ po (825,5 mm)
2	40 po (1016 mm)

Il faut percer des avant-trous avec un foret de 3/16 po (4,5 mm).

Dimensions pour les avant-trous			
	A*	B	C
1	4 3/16 po (106,5 mm)	1 po (25,5 mm)	35 3/8 po (899 mm)
2	2-11/16 po [68mm]	1 po (25,5 mm)	41-7/16 po [1052mm]

Étape 2 Percer des avant-trous et installer les étriers de fixation réglables

1. Marquer la ligne de centre de chaque poteau à l'aide d'un crayon à la mine.
2. Marquer les emplacements des trous définis à l'étape précédente avec un crayon à la mine, puis percer des avant-trous avec un foret de 3/16 po (4,5 mm), en s'assurant que les trous sont espacés uniformément par rapport à la ligne centrale. Voir la figure 1.
3. Retirer le boulon de l'étrier de fixation réglable.
4. Fixer la base de l'étrier de fixation réglable aux poteaux à l'aide des vis autotaraudeuses T-25 fournies. Fixer chaque étrier à l'aide de deux vis. Régler la perceuse à basse vitesse. Le côté de la base avec deux trous doit être dirigé vers le bas.
5. Assembler de nouveau les étriers de fixation réglables, mais **NE PAS** installer leur cache-étrier tout de suite. Voir la figure 2.
6. Installer le cache-base en le glissant sur le dessus du poteau. Voir la figure 3.
7. Enlever tous les copeaux métalliques de la terrasse, du cache-base, du poteau et du panneau avant de visser les étriers dans le poteau.

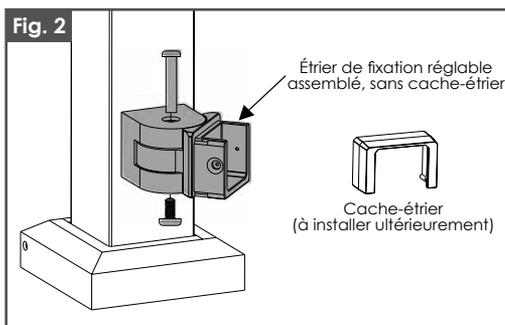
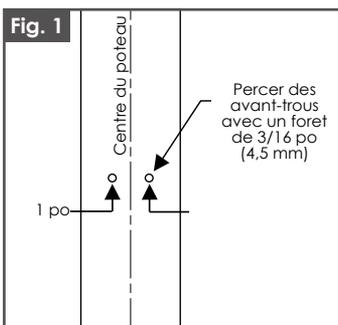
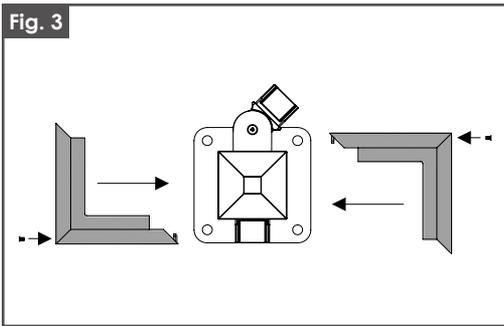


Fig. 3



Étape 3 Déterminer la longueur du panneau

1. S'assurer que tous les poteaux sont alignés et droits. Poser des cales au besoin.
2. S'assurer que les parties creuses des étriers de fixation réglables sont approximativement alignées.
3. Avec l'aide d'une autre personne, mesurer la distance entre l'arrière intérieur d'une partie creuse et l'arrière intérieur de l'autre partie creuse. Il s'agit de la longueur du panneau. Voir la figure 2.

Fig. 1

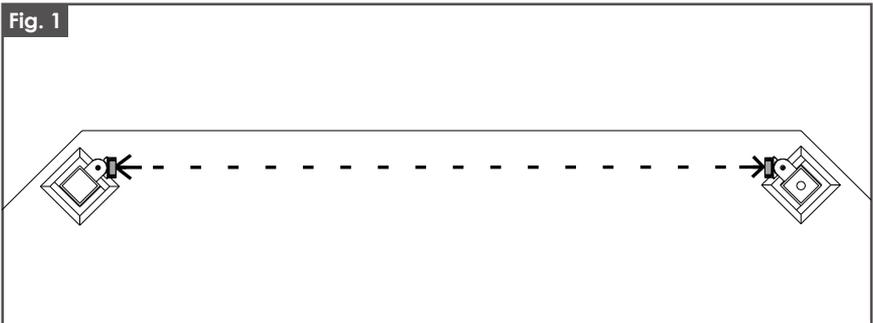
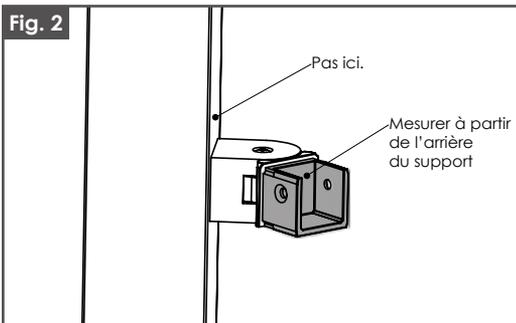


Fig. 2



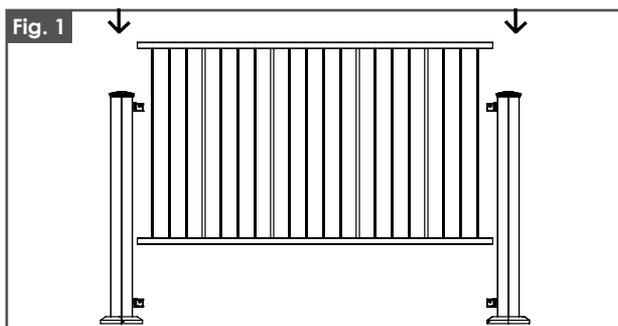
ÉTRIER DE FIXATION RÉGLABLE : COUPE DES PANNEAUX

- Voir la page 8 pour les étapes de coupe des panneaux.

ÉTRIER DE FIXATION RÉGLABLE : INSTALLATION DES PANNEAUX

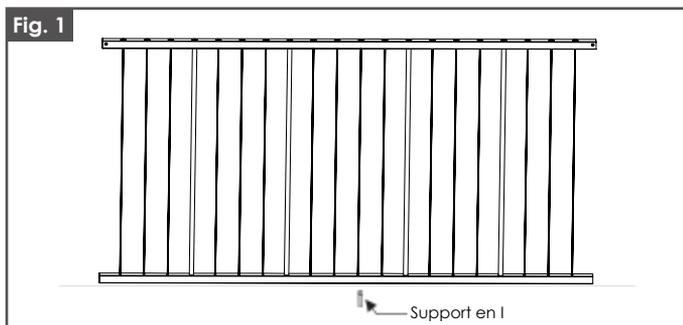
Étape 1 Effectuer un essai d'ajustement du panneau

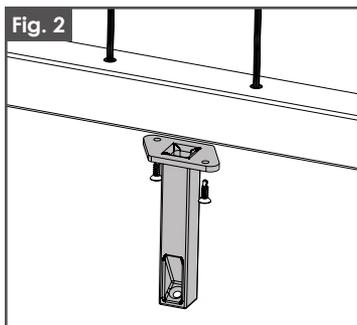
1. Insérer le panneau coupé de façon qu'il soit bien ajusté.



Étape 2 Installer le support en I sur le panneau

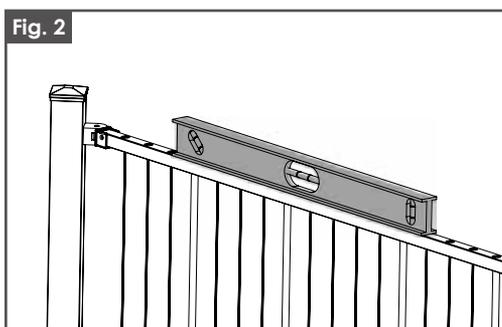
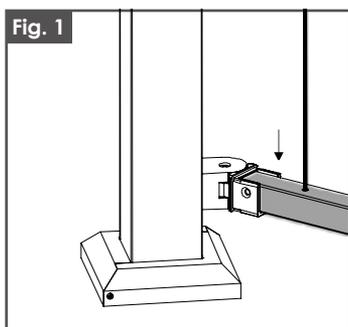
1. Installer le support en I sur le dessous de la traverse inférieure avec les 2 vis autoperçantes à tête cruciforme fournies, comme montré à la figure 2.





Étape 3 Installer le panneau

1. Veiller à ce que tous les panneaux soient à la même hauteur avant de les fixer au poteau.
 - L'utilisation d'une entretoise de traverse supérieure décorative ou d'un élément de blocage pourrait être nécessaire pour mesurer la hauteur par-dessus un poteau.



Étape 4 Installer les vis

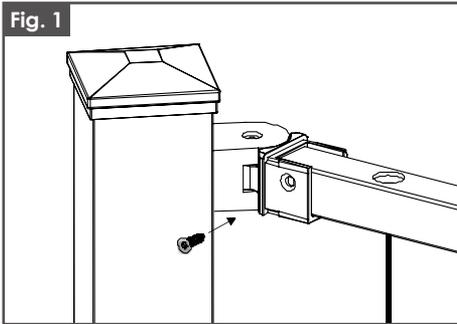
1. Fixer le panneau à chacun des 4 supports au moyen des vis autoperceuses fournies avec un embout T-25.

Conseil : Percer des avant-trous avec un foret de 3/16 po (4,5 mm).

Remarque :

- Il est recommandé de fixer tous les panneaux avec les vis fournies du même côté du support, lors de l'utilisation d'un poteau droit. Voir la figure 1.
- Une seule vis est requise pour fixer le support sur le panneau.

Fig. 1

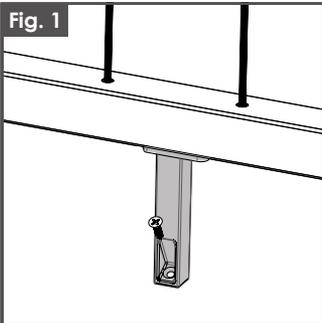


Étape 5 Fixer le support en I à la terrasse

1. Installer le support en I sur la surface de la terrasse avec les 2 vis à bois à tête cruciforme fournies.

Conseil : Percer des avant-trous avec un foret de 1/16 po (1,5 mm).

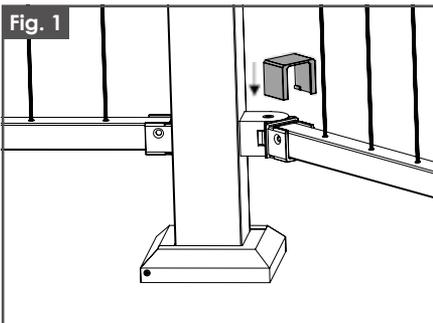
Fig. 1



Étape 6 Installer le cache-étrier

1. Les cache-étriers s'enclenchent sur la partie creuse du support.
2. À l'aide d'un balai ou d'un compresseur, enlever les débris de la surface de la traverse et de la terrasse.

Fig. 1



ÉTRIER DE FIXATION RÉGLABLE : MISE SOUS TENSION DES CÂBLES

- Voir la page 38 pour les étapes à suivre.

ÉTRIER DE FIXATION RÉGLABLE : TRAVERSE SUPÉRIEURE DÉCORATIVE ARRONDIE ET PLATE

- Voir la page 12 pour les étapes pour la traverse supérieure décorative arrondie des traverses supérieures continues et la page 23 pour les étapes pour la traverse supérieure décorative arrondie des poteaux en saillie.
- Voir la page 16 pour les étapes pour la traverse supérieure décorative plate des traverses supérieures continues et la page 25 pour les étapes pour la traverse supérieure décorative plate des poteaux en saillie.

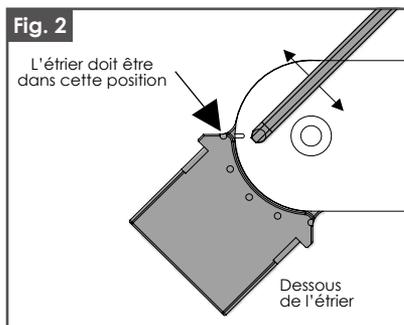
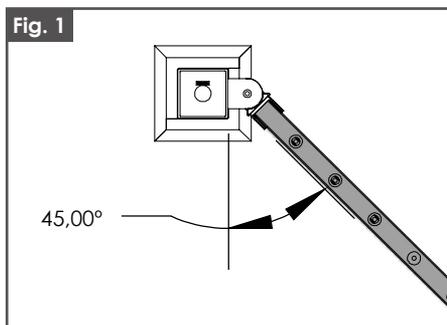
ÉTRIER DE FIXATION RÉGLABLE : JOINT D'ANGLE DE TRAVERSE SUPÉRIEURE DÉCORATIVE ARRONDIE ET PLATE

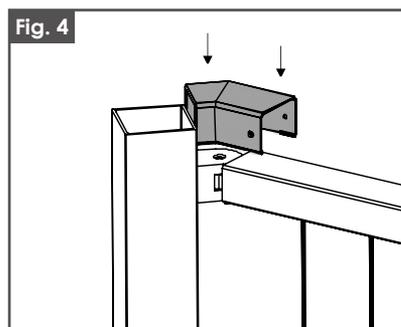
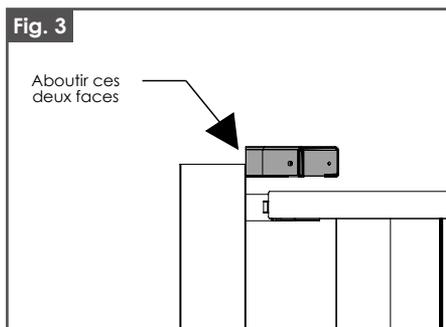
Étape 1 Joint d'angle de traverse supérieure décorative (poteau en saillie)

1. Utiliser une clé hexagonale 3/32 po (2,5 mm) pour serrer la vis de réglage et verrouiller l'étrier de fixation à 45°. Voir les figures 1 et 2.
2. Placer le joint d'angle sur le dessus de la traverse supérieure décorative en aboutissant la face d'extrémité du joint à la face du poteau de 3 po (76 mm). Voir les figures 3 et 4.
3. Il peut être nécessaire d'utiliser un maillet en caoutchouc. Dans ce cas, placer une pièce de tissu sur la traverse pour ne pas l'endommager.
4. Fixer le joint d'angle à l'aide de deux vis autoperceuses 6-20 x 1/2 po (12,5 mm).

Remarque :

- Le joint d'angle ne fonctionne que si les étriers sont positionnés à 45°.



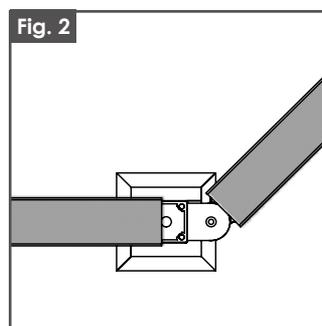
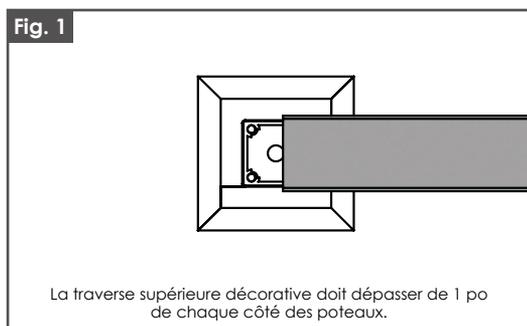


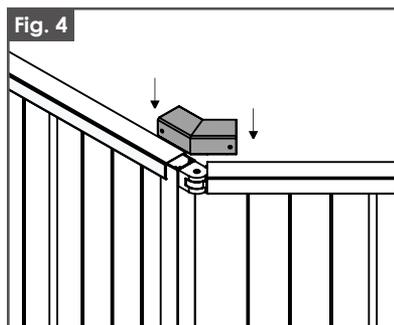
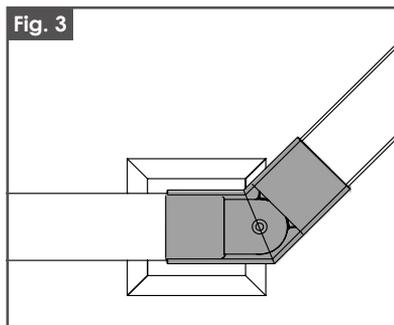
Étape 2 Joint d'angle de traverse supérieure décorative (traverse supérieure continue)

1. Installer d'abord les traverses supérieures décoratives et les entretoises à l'opposé de l'étrier de fixation réglable.
2. Mesurer à partir de l'intérieur du poteau et ajouter 2 po (51 mm) sur toute la longueur.
3. Installer les traverses supérieures décoratives et les entretoises sur le côté en angle en mesurant à partir de l'extrémité de la partie creuse de l'étrier et en ajoutant 2 1/2 po (63,5 mm) à la longueur totale.
4. Une fois que les deux traverses supérieures décoratives sont installées, il faut centrer le joint d'angle sur l'étrier de fixation réglable.
5. Fixer le joint d'angle sur les traverses supérieures décoratives à l'aide d'un maillet en caoutchouc.

Remarque :

- La traverse supérieure décorative doit dépasser de 1 po (25,5 mm) de chaque côté des poteaux.



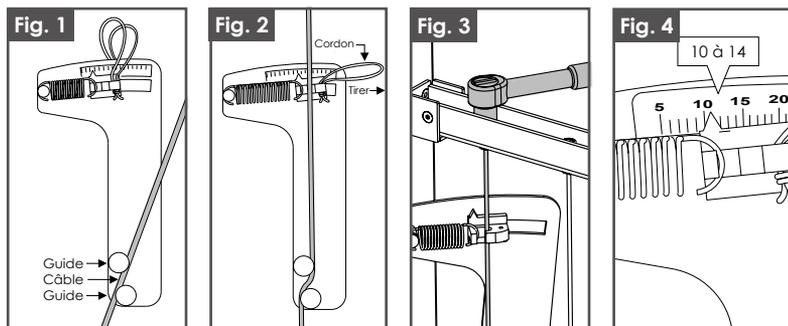


MISE SOUS TENSION DES CÂBLES

Étape 1 Mise sous tension des câbles verticaux des panneaux Al¹³ HOME

LES CÂBLES NE DOIVENT PAS ÊTRE TROP TENDUS.

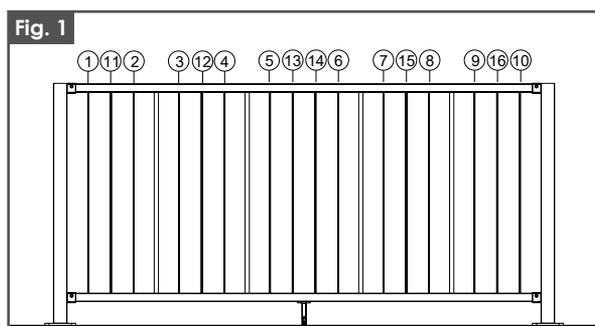
1. Utiliser un gabarit de tension Fortress pour tendre les câbles avec précision.
2. La tension indiquée par l'indicateur doit se situer entre 10 et 14.
3. Le système de câbles verticaux Al¹³ HOME utilise des câbles de 1/8 po (3 mm) de diamètre.
4. Consulter les images ci-dessous pour savoir comment placer le câble dans le gabarit de tension.
 - Placer le câble entre les guides inférieurs, comme montré à la figure 1.
 - Tirer sur le cordon et étirer le ressort jusqu'à ce que le câble se trouve dans le crochet de la glissière de l'indicateur. Voir la figure 2.
 - Utiliser une clé à douille de 1/2 po (13 mm) pour tendre les câbles, comme montré à la figure 3.
 - Tendre le câble jusqu'à ce que la flèche de l'indicateur se situe entre 10 et 14 sur le gabarit de tension, comme montré à la figure 4.



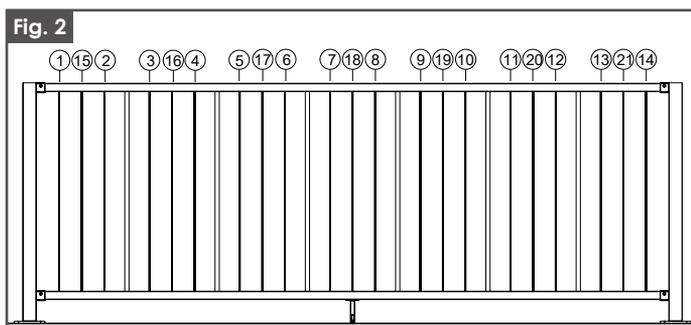
Étape 2 Séquence à suivre pour tendre les câbles

1. Éliminer le jeu dans les câbles avec la clé à douille. Commencer ensuite à tendre les câbles, un tour à la fois, selon la séquence indiquée, afin qu'une tension uniforme soit appliquée à tous les câbles du panneau.
2. Une fois que tous les câbles sont correctement tendus, selon le gabarit de tension, passer aux étapes suivantes.

Séquence pour les traverses de 6 pi



Séquence pour les traverses de 8 pi



NETTOYAGE ET ENTRETIEN

Guide de nettoyage et d'entretien de Fortress Railing Products Produits et surfaces recouverts de peinture en poudre

- Immédiatement après l'installation de votre système Fortress Railing Products, nettoyer les éléments et les surfaces recouverts de peinture en poudre avec un mélange d'eau tiède et d'un détergent non abrasif et au pH neutre. Bien rincer pour enlever tous les résidus. Nettoyer toutes les surfaces avec un tissu doux ou une éponge.
- Prendre soin d'enlever toutes les taches de matériaux de construction (béton, plâtre, peinture) avant qu'elles sèchent. Une fois séchés, ces matériaux peuvent endommager les surfaces recouvertes de peinture en poudre.
- La fréquence de nettoyage varie selon l'importance de l'apparence pour le propriétaire et la nécessité d'enlever les dépôts qui sont susceptibles d'endommager le revêtement en poudre au fil du temps. Fortress recommande de nettoyer tous les éléments et toutes les surfaces recouverts de peinture en poudre tous les 3 ou 4 mois. Les éléments et les surfaces qui se trouvent dans des endroits plus achalandés ou qui sont soumis à une quantité importante de substances atmosphériques, ou à d'autres effets, devraient être nettoyés tous les mois.
- **AVERTISSEMENT.** Ne jamais utiliser de solvants puissants, comme des diluants à peinture, ou de solutions qui contiennent des hydrocarbures chlorés, des esters ou des cétones. Il ne faut pas utiliser de nettoyants abrasifs ni de composés de coupe.

GARANTIE :

Fortress Railing Products garantit les garde-corps en aluminium et les accessoires Fortress Al¹³ HOME contre les défauts de matériaux et de fabrication. Cette garantie à vie limitée est offerte à l'acheteur initial. En plus des défauts de fabrication, cette garantie limitée couvre la fissuration, l'écaillage et le cloquage du fini et la corrosion importante des garde-corps en aluminium Al¹³ HOME. On entend par corrosion importante la présence de multiples perforations dues à la rouille sur une même pièce. Cette garantie ne couvre pas les dommages causés par une utilisation anormale ou inappropriée du produit, un accident, une modification, du soudage, une négligence, un abus, du vandalisme, des dommages causés par l'entretien de la pelouse, l'abrasion, des produits chimiques puissants, des produits chimiques pour piscines, des produits chimiques de déglacage, des polluants atmosphériques, manque d'entretien ou entretien non adéquat, l'affaissement du bâtiment ou des dommages causés par une inondation, un incendie ou une catastrophe naturelle. La corrosion de surface causée par des égratignures, des entailles ou des bosses n'est pas couverte. Cette garantie limitée est valide durant sept (7) ans à partir de la date d'achat dans le cas des produits installés à 1 mille ou moins de la côte. Les garde-corps en aluminium Al¹³ HOME qui ont eu un contact direct avec de l'eau salée sont exclus de cette garantie.

Les réclamations en vertu de la présente garantie doivent être présentées en ligne. Le propriétaire ou l'entrepreneur doit se rendre sur le site <https://www.fortressrailing.com/fr/garanties/> et cliquer sur le bouton « SOUMETTRE UNE DEMANDE DE GARANTIE ». Il devra notamment fournir les documents suivants : preuve d'achat, 4 à 6 photos du produit et du lieu d'installation, indicatif de code de date et (ou) étiquette de lot (qui sont fournis avec tous les produits de Fortress Railing). Fortress Railing Products informera l'acheteur au détail initial si sa réclamation est acceptée ou refusée.

Conditions et exclusions de la garantie

CETTE GARANTIE N'EST PAS TRANSFÉRABLE. LE MONTANT DU DÉDOMMAGEMENT NE COMPREND PAS LA MAIN-D'ŒUVRE NÉCESSAIRE POUR RETIRER LES COMPOSANTS EXISTANTS OU INSTALLER LES COMPOSANTS DE RECHANGE, LES FRAIS D'EXPÉDITION, LES TAXES DE VENTE OU AUTRES FRAIS. FORTRESS RAILING PRODUCTS N'EST PAS EN OUTRE TENUE DE FOURNIR LA MAIN-D'ŒUVRE OU DES SERVICES.

CETTE GARANTIE LIMITÉE REMPLACE TOUTES LES AUTRES GARANTIES EXPRESSES. FORTRESS RAILING PRODUCTS N'OFFRE AUCUNE AUTRE GARANTIE EXPRESSE ET N'AUTORISE AUCUNE AUTRE PERSONNE OU AUCUN AGENT À PROPOSER DES GARANTIES EXPRESSES. FORTRESS RAILING PRODUCTS N'ASSUME NI N'AUTORISE AUCUNE AUTRE RESPONSABILITÉ OU OBLIGATION EN MATIÈRE DE GARANTIE POUR CE PRODUIT, Y COMPRIS, MAIS SANS S'Y LIMITER, LES GARANTIES IMPLICITES DE QUALITÉ MARCHANDE ET D'ADAPTATION À UNE FIN PARTICULIÈRE. FORTRESS RAILING PRODUCTS N'ASSUME AUCUNE RESPONSABILITÉ À L'ÉGARD DES DOMMAGES INDIRECTS, SPÉCIAUX OU ACCESSOIRES EN LIEN AVEC L'ACHAT OU L'UTILISATION DE CE PRODUIT EN CAS DE VIOLATION DE LA GARANTIE.

La présente entente est régie et interprétée conformément aux lois de l'État du Texas, sans égard aux principes relatifs au conflit des lois. Toute action en justice découlant de la présente entente doit être présentée ou contestée en vertu des lois de l'État du Texas. De plus, les parties aux présentes acceptent de se soumettre la juridiction des tribunaux de l'État du Texas et conviennent que les actions en justice relèvent exclusivement de la juridiction des tribunaux de l'État du Texas.

CERTAINES PROVINCES NE PERMETTENT PAS QUE DES LIMITES SOIENT POSÉES SOIT SUR LA PÉRIODE DE TEMPS QUE DURE UNE GARANTIE IMPLICITE, SOIT SUR LA LIMITATION OU L'EXCLUSION DE DOMMAGES ACCESSOIRES OU INDIRECTS. AINSI, IL SE PEUT QUE L'EXCLUSION CI-DESSUS NE S'APPLIQUE À VOUS. CETTE GARANTIE VOUS DONNE CERTAINS DROITS LÉGAUX SPÉCIFIQUES. L'ACHETEUR PEUT AVOIR D'AUTRES DROITS QUI VARIENT D'UN ÉTAT OU D'UNE PROVINCE À L'AUTRE. CETTE GARANTIE VISE SEULEMENT LES SYSTÈMES INSTALLÉS AU CANADA ET DANS LA ZONE CONTINENTALE DES ÉTATS-UNIS.



INTRODUCCIÓN

LEA LAS INSTRUCCIONES COMPLETAMENTE ANTES DE INICIAR LA INSTALACIÓN

Es responsabilidad del instalador cumplir con todos los códigos y requisitos de seguridad, y obtener todos los permisos de construcción requeridos. El instalador de plataformas y barandas debe determinar e implementar las técnicas de instalación adecuadas para cada situación de instalación. Ni Fortress Railing Products ni sus distribuidores serán responsables por las instalaciones inadecuadas o inseguras.

Los postes Fortress AL¹³ HOME deben asegurarse siempre a la estructura de la plataforma y nunca deben sujetarse sólo al piso de carga de la plataforma.

Nota

Al cortar las barandas de Fortress, es muy importante llevar a cabo lo siguiente en los puntos de corte:

- Quite todas las virutas de metal de la zona de corte.
- Lime los bordes cortantes originados por el corte. Limpie a fondo y elimine cualquier viruta, mancha o suciedad de la baranda.
- Aplique dos capas de pintura Fortress para retocar a base de zinc en el área de corte. Si el retoque está en los extremos de los rieles, deje que la pintura se seque antes de conectar el soporte al poste.
- Asegúrese de retirar cualquier rebaba metálica de la superficie de la plataforma, patio o balcón para evitar manchas sobre la superficie de la plataforma.

Consejos de seguridad de Torx

- Siempre use la configuración de velocidad más baja en el taladro.
- Para reducir la posibilidad de rotura de la broca, empiece a apretar con la broca en la configuración de potencia baja y siga hasta que el tornillo quede asegurado.

Consejo: Taladre previamente los agujeros con una broca de 3/16" [4.5 mm].

Herramientas requeridas



Gafas



Cinta métrica



Escuadra rápida



Nivel



Lápiz



Pintura para retoques



Punta T-25 para atornillar



Llave de tuercas de 5/16" [8 mm]



Broca de cabeza Phillips #2



Brocas: 1/16", 3/16", 3/8", 5/8" [1.5 mm, 4.5 mm, 9.5 mm, 16 mm]



Juego de copas



Llave hexagonal



Extensor de broca



Llave de copas



Llave inglesa



Taladro



Sierra de ingletes



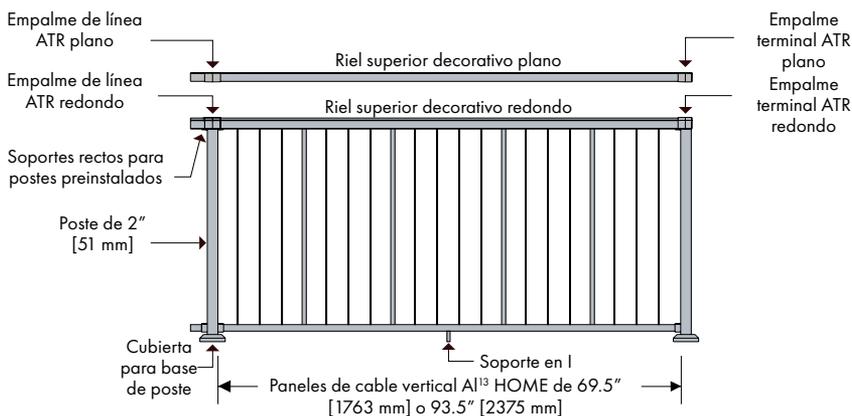
Mazo de hule



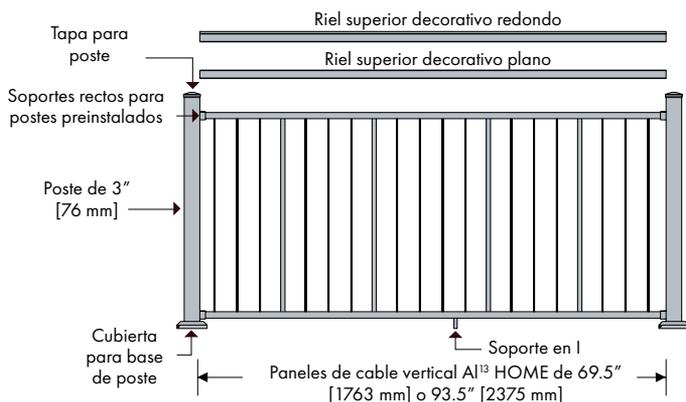
Medidor de tensión

Opciones de instalación de cable vertical de AL¹³ HOME

Sobre el poste (OTP)



Poste saliente



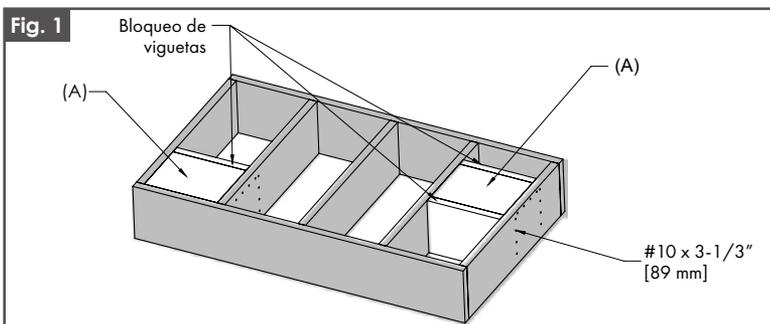
OTP Y POSTE SALIENTE: MONTAJE DE LOS POSTES

* Si utiliza estructura Fortress Evolution, póngase en contacto con Fortress para recibir instrucciones.

Paso 1. Instale bloques de madera

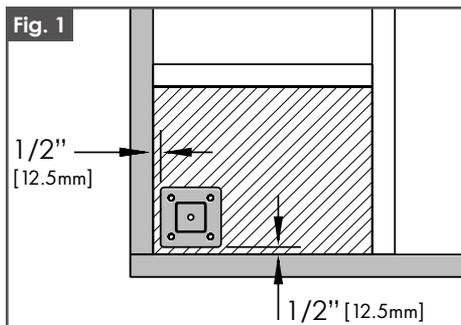
1. Instale un bloque de madera a nivel con la parte superior de la vigueta de amarre. Como se muestra en la Fig.1(A)
2. Asegure el bloque de madera a los bloques en los cuatro lados con tornillos para plataforma #10 X 3-1/2" [89 mm].

 - El bloque de madera debe construirse con madera tratada y dimensionada con un espesor mínimo de 1 1/2" [38 mm].



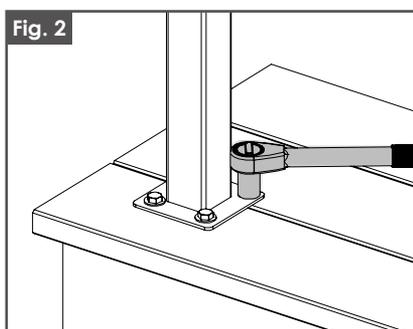
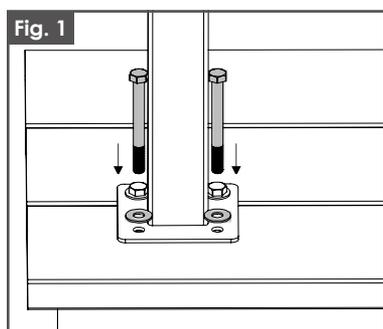
Paso 2. Posicione la placa base

1. Posicione el borde de la placa base AL¹³ HOME a un mínimo de 1/2" [12.5 mm] desde el borde interior de la vigueta perimetral. Como se muestra en la Fig. 1.



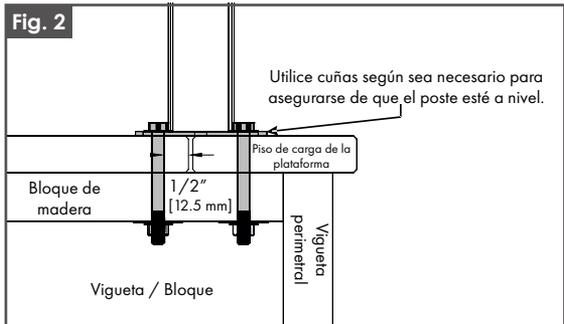
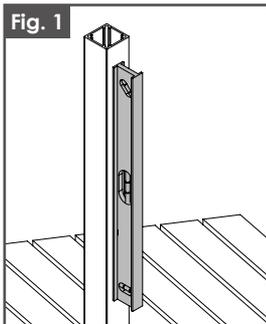
Paso 3. Monte los postes

1. Marque la ubicación de los agujeros de montaje y taladre previamente un agujero de 3/8" [9.5 mm].
2. Inserte tornillos galvanizados de cabeza hexagonal de 3/8" x 3-1/2" [9.5 mm x 89 mm] a través de la arandela galvanizada de 3/8" [9.5 mm] y la placa base del poste.
 - Los agujeros de la placa base del poste **DEBEN** posicionarse a un mínimo de 1/2" [12.5 mm] del borde del piso de carga de la plataforma.
 - Utilice únicamente tornillos galvanizados de cabeza hexagonal de 3/8" [9.5 mm]. **NO** deben utilizarse tornillos autorroscantes. Asegure cada poste con cuatro tornillos.



Paso 4. Revise los postes montados

1. Utilice cuñas según sea necesario para asegurarse de que el poste esté a nivel.

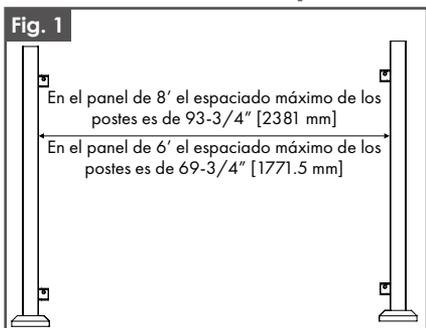


Paso 5. Espaciado máximo entre postes

- En el panel de 8' el espaciado máximo de los postes es de 93-3/4" [2381 mm]
- En el panel de 6' el espaciado máximo de los postes es de 69-3/4" [1771.5mm]

Nota:

- **No exceda el espaciado máximo entre postes.**

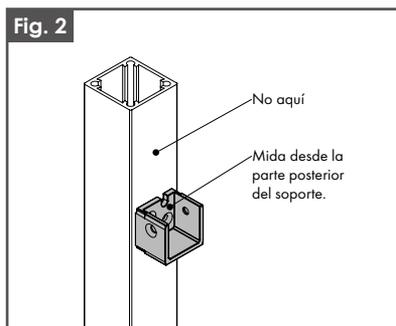
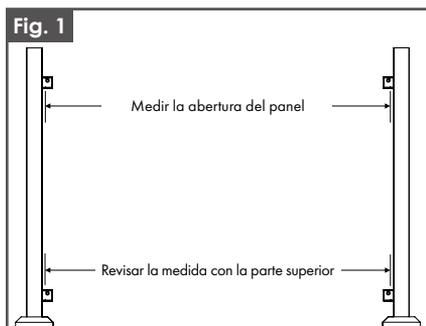


Paso 6. Medir la longitud de la abertura del panel

1. Mida la distancia de la abertura del panel. Como se muestra en la Fig. 1.
2. Confirme que las medidas para los soportes superiores sean iguales a las de los soportes inferiores.

Nota:

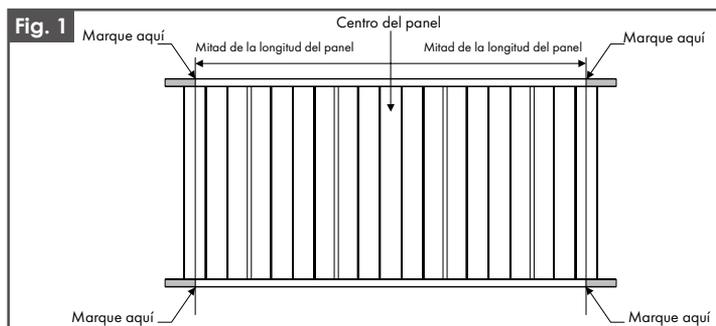
- **Mida desde la pared posterior del soporte hasta la pared posterior del soporte en el otro poste. Como se muestra en la Fig. 2.**



OTP Y POSTE SALIENTE: CORTAR PANELES

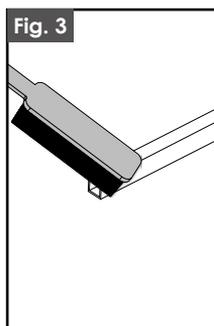
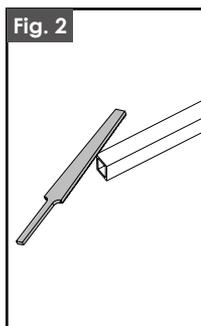
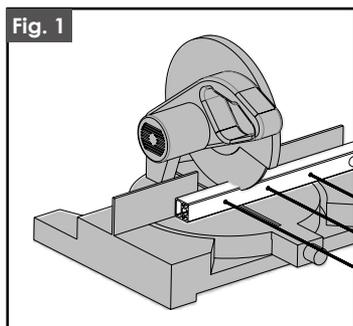
Paso 1. Medir y marcar los paneles donde se harán los cortes

1. Para asegurarse de que el panel sea simétrico, tome la medida que se encuentra en la página 7, paso 6 y divídala por la mitad. Luego corte largos iguales desde ambos extremos.
2. Encuentre el centro del panel y mida la mitad de la longitud en cada dirección.
3. Marque estas ubicaciones con un lápiz sobre el riel superior e inferior.



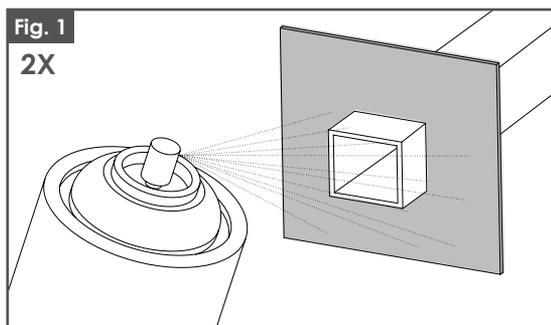
Paso 2. Cortar y limpiar el panel

1. Corte los rieles utilizando una sierra con una hoja para corte de carburo de dientes finos.
2. Utilice una lima para alisar los bordes cortados.
3. Retire cualquier rebaba metálica y polvo con un cepillo o un trapo.
4. Asegúrese de que las superficies que se van a pintar estén limpias.



Paso 3. Aplique pintura en aerosol a las áreas cortadas

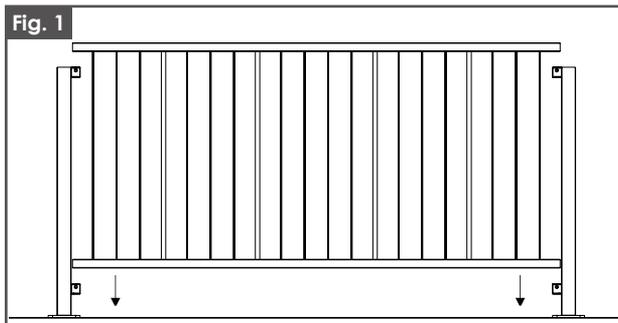
1. Utilizando una pieza de cartón como máscara, aplique la primera capa de pintura para retoques a base de zinc de Fortress.
2. Permita que seque antes de aplicar la segunda capa.
3. Aplique la segunda capa de pintura Fortress para retocar a base de zinc.
4. Permita que seque e instale.



INSTALACIÓN OTP

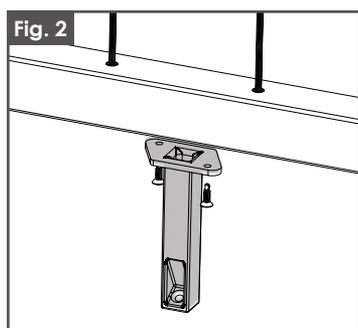
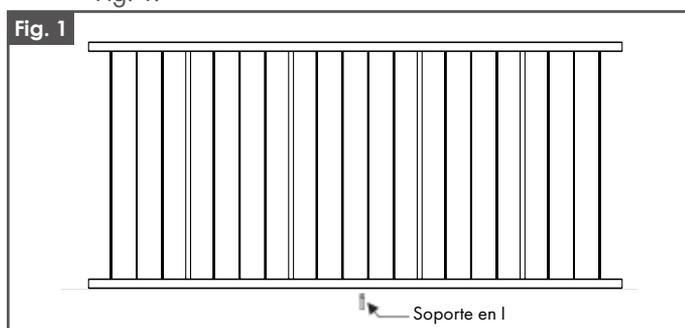
Paso 1. Probar el ajuste del panel

1. Inserte el panel cortado para asegurarse de que se ajuste apropiadamente.



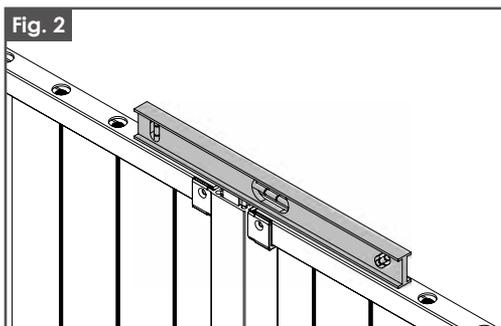
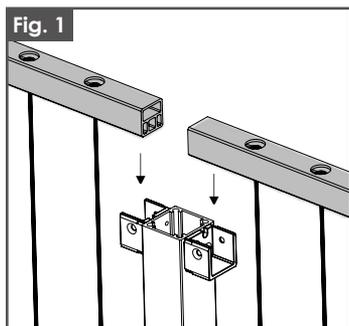
Paso 2. Instalar el soporte en I sobre el panel

1. Instale el soporte en I debajo del riel inferior con los 2 tornillos autorroscantes de cabeza Phillips suministrados. Como se muestra en la Fig. 1.



Paso 3. Instalar un panel

1. Utilice un nivel para asegurarse de que todos los paneles estén a la misma altura antes de fijarlos al poste.
 - Podría ser necesario el uso de un espaciador o bloque ATR para medir sobre un poste.



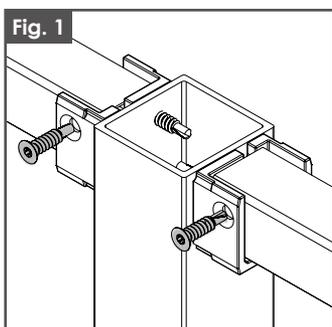
Paso 4. Aplicar tornillos

1. Fije el panel a cada uno de los 4 soportes utilizando el tornillo autorroscante que se suministra con una punta T-25.

Consejo: Taladrar previamente con una broca de 3/16" [4.5 mm].

Nota:

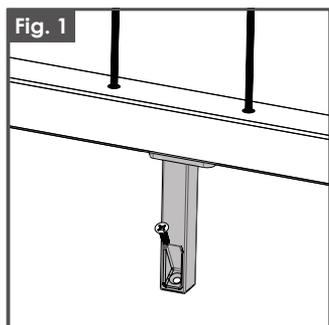
- Se recomienda que todos los paneles se fijen con los tornillos que se suministran del mismo lado del soporte al utilizar un poste en línea. Como se muestra en la Fig.1
- Sólo se necesita un tornillo para asegurar el soporte al panel.



Paso 5. Sujetar el soporte en I a la plataforma

1. Sujete el soporte en I a la superficie de la plataforma con el tornillo para madera de cabeza Phillips suministrado.

Consejo: Taladrar previamente con una broca de 1/16" [1.5mm].



OTP: TENSAR EL CABLE

- Remítase a la página 38 para los pasos de tensado.

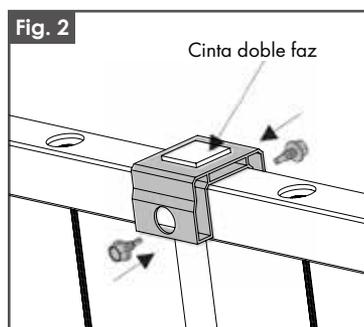
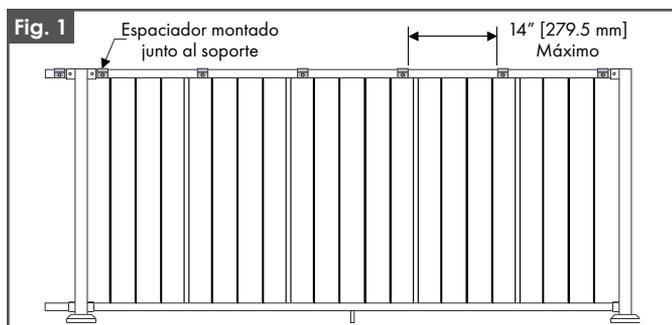
OTP: RIEL SUPERIOR DECORATIVO REDONDO (ATR)

Paso 1. Espaciadores ATR redondos

1. Instale los espaciadores utilizando los tornillos autorroscantes que se suministran con una llave de tuercas de 5/16" [8 mm], dos tornillos por espaciador. Como se muestra en la Fig. 2.
 - El juego del riel superior con decoración viene con 7 espaciadores en el juego de 93.89" [2385 mm], con 6 espaciadores en el juego de 69.89" [1775 mm] y con 14 espaciadores en el juego de 190" [4826 mm].
 - Los espaciadores deben espaciarse a la misma distancia a lo largo de la longitud del riel, sin que haya más de 14" [279.5 mm] de espacio entre ellos. Como se muestra en la Fig. 1.
 - Los espaciadores de los extremos deben ponerse tan cerca de los soportes terminales como sea posible.

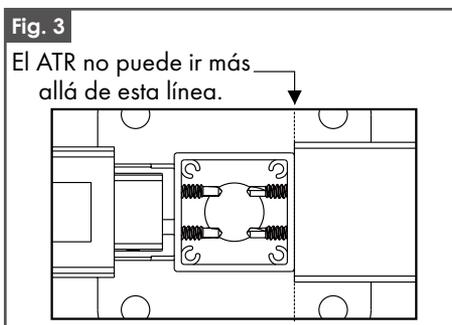
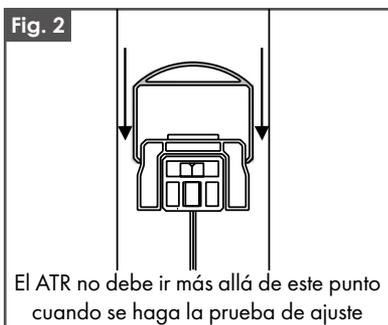
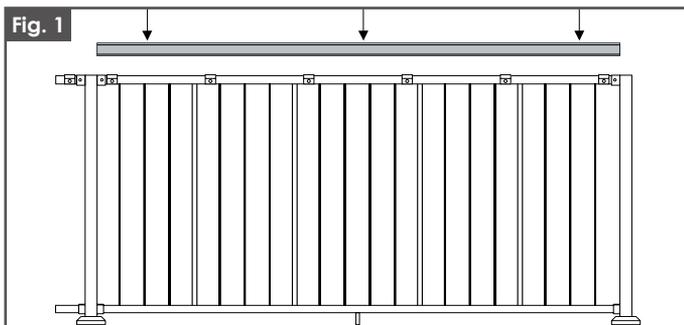
Nota:

- **NO REMUEVA EL RESPALDO DE LA CINTA DE DOBLE FAZ HASTA QUE ESTÉ LISTO PARA INSTALAR PERMANENTEMENTE EL ATR.**



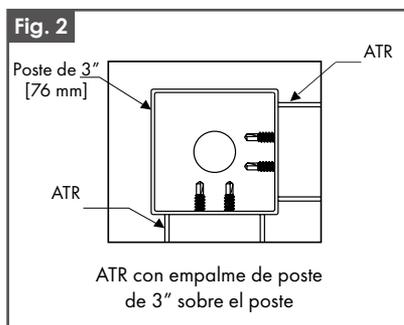
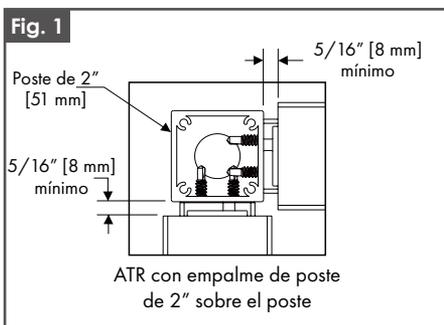
Paso 2. Postes ATR redondos y terminales

1. Mida la distancia desde el borde interior de los dos postes.
2. Corte el ATR a la longitud medida.
3. El ATR no puede bloquear el borde interno del poste. Como se muestra en la Fig. 3.
4. Cuando pruebe el ajuste del ATR, colóquelo sobre los espaciadores. No presione el ATR sobre los espaciadores. Quitar el ATR de los espaciadores puede dañar el ATR y los espaciadores. Como se muestra en la Fig. 2.
5. Quite el respaldo de toda la cinta doble faz sobre los espaciadores del ATR.
6. Es posible que necesite un mazo de hule para instalarlo. Si utiliza un mazo de hule, use un trapo para proteger de daños al ATR.



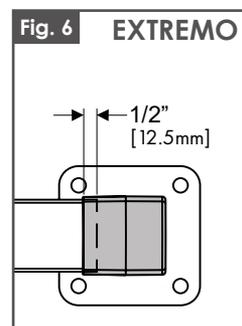
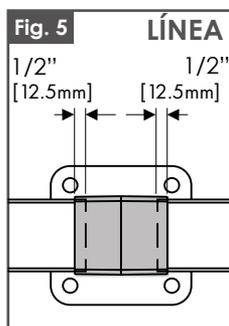
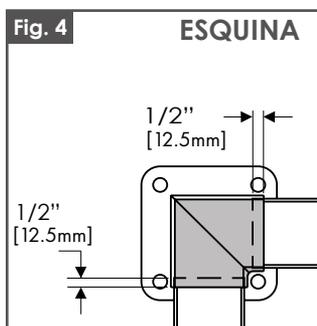
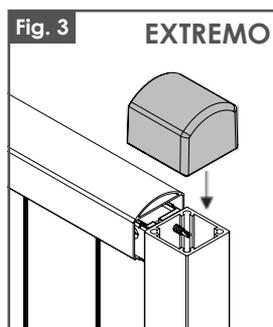
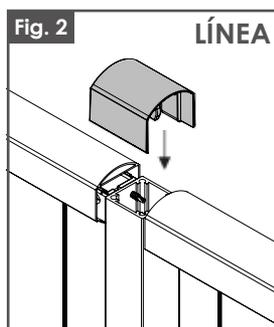
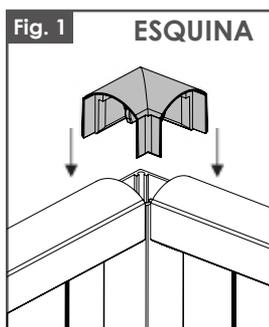
Paso 3. ATR esquina redonda

1. Al instalar los ATR en las esquinas con un poste de 2" [51 mm], el ATR debe quedar a 5/16" [8 mm] de distancia del poste. Como se muestra en la Fig. 1.
2. Si instala una esquina con un poste saliente de 3" [76 mm], instale el ATR a la longitud total desde el borde interior del poste hasta el borde interior del poste.



Paso 4. Empalme de ATR redondo

1. Para instalar un empalme de ATR: Centre el empalme sobre el poste y presione con fuerza sobre el ATR. Como se muestra en la Fig. 1, 2, 3.
2. Es posible que necesite un mazo de hule para instalarlo. Si utiliza un mazo de hule, use un trapo para proteger de daños al empalme.
 - Los empalmes de ATR hacen referencia al interior del poste y se enganchan alrededor del ATR.
 - Los empalmes de ATR permiten hasta 1/2" [12.5 mm] de variación en la longitud desde el borde del poste. Como se muestra en la Fig. 3, 5, 6.



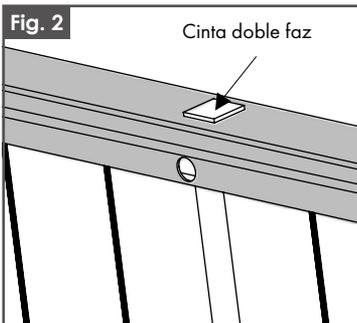
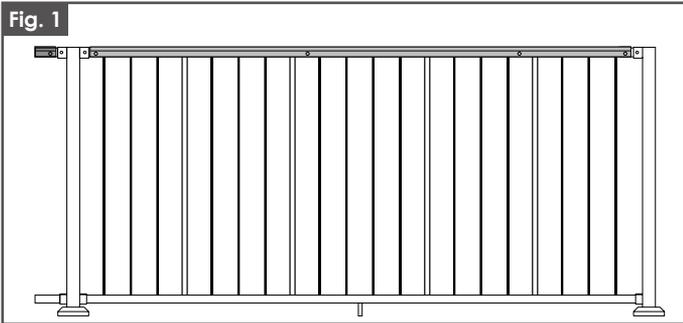
OTP: RIEL SUPERIOR DECORATIVO PLANO (ATR)

Paso 1. Espaciadores ATR planos

1. Mida la distancia entre los soportes y corte el espaciador ATR a la longitud requerida. El espaciador puede ser 1/4" [6.5 mm] más corto que la distancia entre los soportes.
2. Si se cortó uno de los agujeros para los tornillos durante el dimensionado del espaciador ATR, utilice una broca de 5/8" [16 mm] para agregar otro agujero a 1" [25.1 mm] del extremo del espaciador ATR.
3. Instale el espaciador ATR utilizando los tornillos autorroscantes que se suministran con una llave de tuercas de 5/16" [8 mm].
4. Todos los agujeros para tornillos deben tener un tornillo instalado.

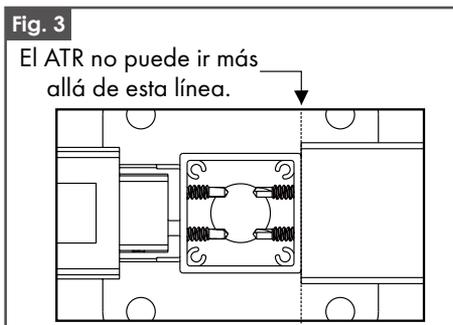
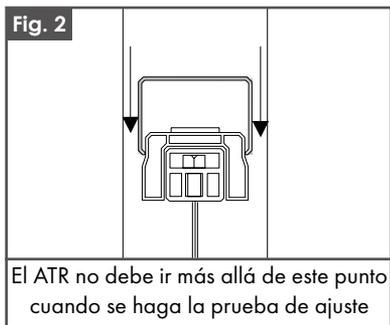
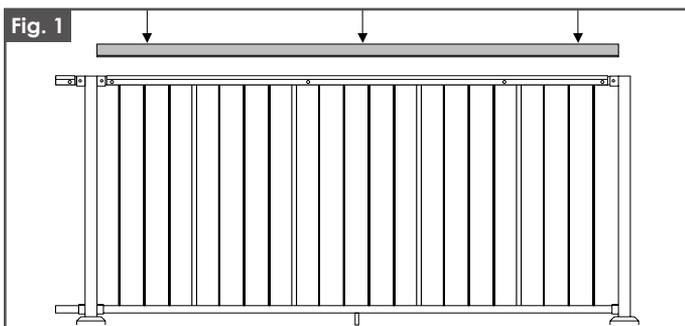
Nota:

- **El ATR plano utiliza un espaciador ATR de longitud total.**
- **NO REMUEVA EL RESPALDO DE LA CINTA DE DOBLE FAZ HASTA QUE ESTÉ LISTO PARA INSTALAR PERMANENTEMENTE EL ATR.**



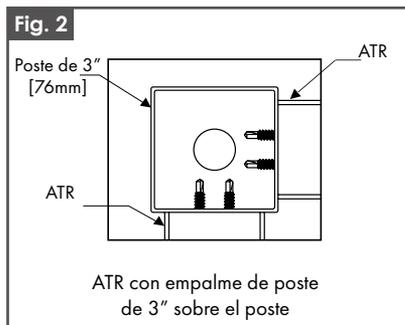
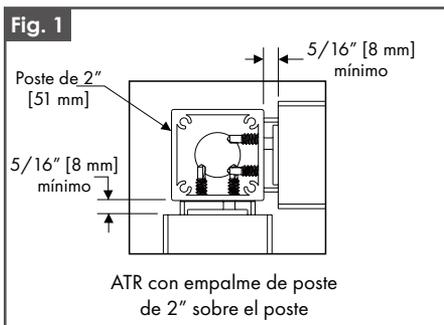
Paso 2. ATR plano de línea y terminal

1. Mida la distancia desde el borde interior de los dos postes.
2. Corte el ATR a la longitud medida.
3. El ATR no puede bloquear el borde interno del poste.
4. Cuando pruebe el ajuste del ATR, colóquelo sobre los espaciadores. No presione el ATR sobre los espaciadores. Quitar el ATR de los espaciadores puede dañar el ATR y los espaciadores.
5. Quite el respaldo de toda la cinta doble faz sobre los espaciadores del ATR.
6. Es posible que necesite un mazo de hule para instalarlo. Si utiliza un mazo de hule, use un trapo para proteger de daños al ATR.



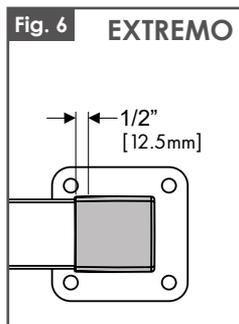
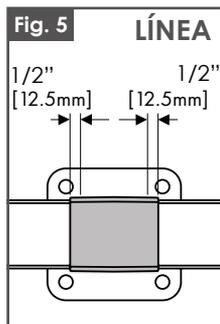
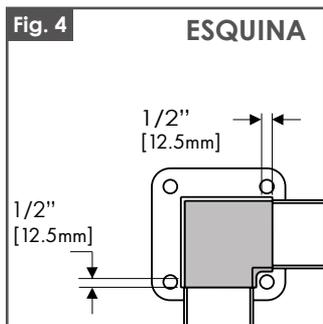
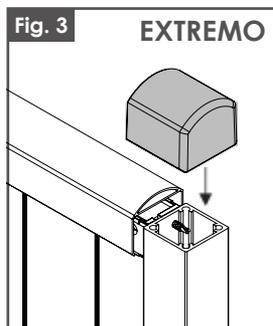
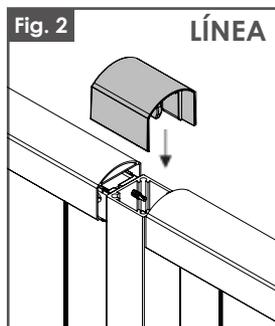
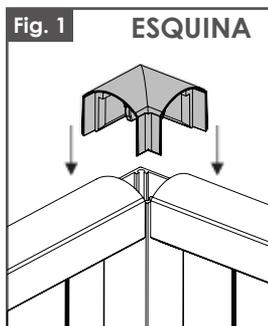
Paso 3. ATR esquina plana

1. Al instalar los ATR en las esquinas con un poste de 2" [51 mm], el ATR debe quedar a 5/16" [8 mm] de distancia del poste. Como se muestra en la Fig. 1.
2. Si instala una esquina con un poste saliente de 3" [76 mm], instale el ATR a la longitud total desde el borde interior del poste hasta el borde interior del poste. Como se muestra en la Fig. 2.



Paso 4. Empalme ATR plano

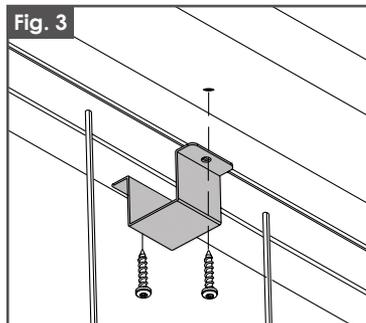
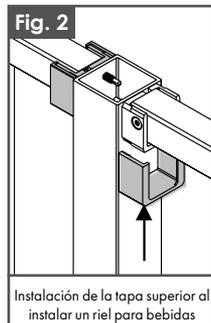
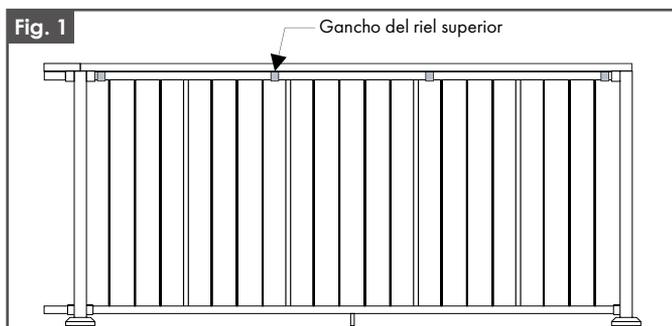
1. Para instalar un empalme de ATR: Centre el empalme sobre el poste y presione con fuerza sobre el ATR.
2. Es posible que necesite un mazo de hule para instalarlo. Si utiliza un mazo de hule, use un trapo para proteger de daños al empalme.
 - Los empalmes de ATR hacen referencia al interior del poste y se enganchan alrededor del ATR.
 - Los empalmes de ATR permiten hasta 1/2" [12.5 mm] de variación en la longitud desde el borde del poste.



OTP: GANCHOS DEL RIEL SUPERIOR Y CUBIERTA PARA BASE DE POSTE

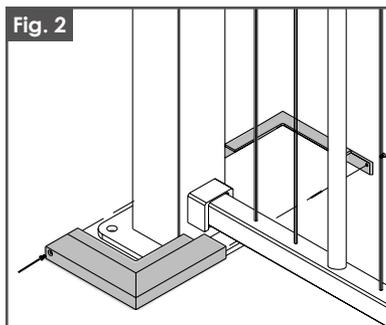
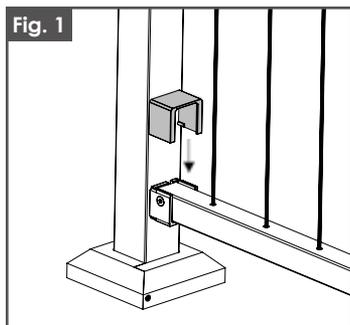
Paso 1. Ganchos del riel superior

1. Instale las tapas del soporte del riel superior que vienen con los ganchos del riel superior. Como se muestra en la Fig. 2.
2. Utilice ganchos del riel superior al instalar un riel para bebidas.
 - Los ganchos del riel superior deben quedar espaciados de forma uniforme sobre la longitud del panel.
 - Se recomienda taladrar previamente los agujeros para los tornillos.



Paso 2. Tapa de soporte y cubierta de la base del poste

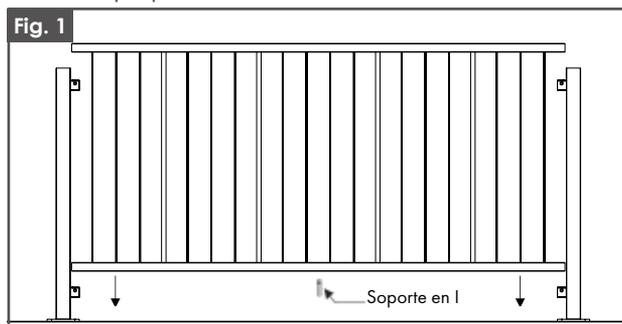
1. Las tapas de los soportes se enganchan sobre las copas del soporte.
2. Desarme la cubierta para la base del poste e instálela sobre el poste.
3. Utilice una escoba o un compresor para retirar los restos del riel y de la superficie de la plataforma.



INSTALACIÓN DE POSTES SALIENTES

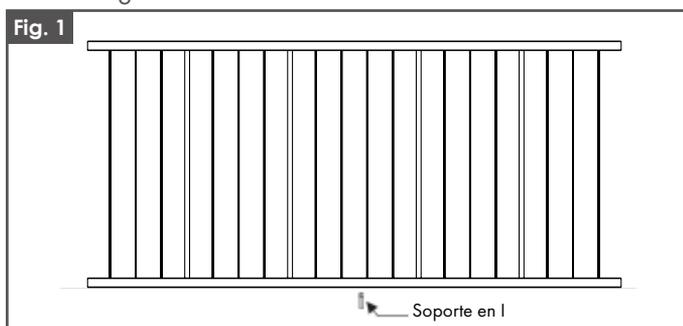
Paso 1. Probar el ajuste del panel

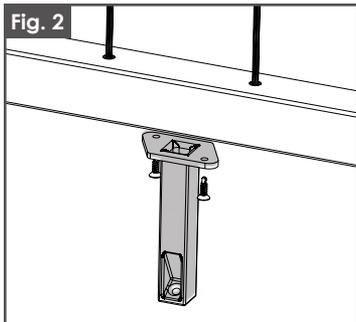
1. Instale el panel cortado para asegurarse de que se ajuste apropiadamente.



Paso 2. Instalar el soporte en I sobre el panel

1. Instale el soporte en I debajo del riel inferior con los 2 tornillos autorroscantes de cabeza Phillips suministrados. Como se muestra en la Fig. 2.





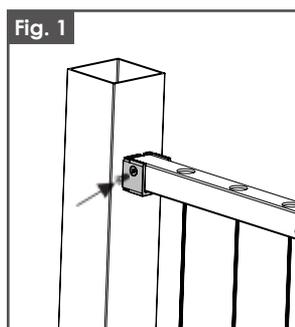
Paso 3. Aplicar tornillos

1. Fije el panel a cada uno de los 4 soportes utilizando el tornillo autorroscante que se suministra con una punta T-25.

Consejo: Taladrar previamente con una broca de 3/16" [4.5 mm].

NOTA:

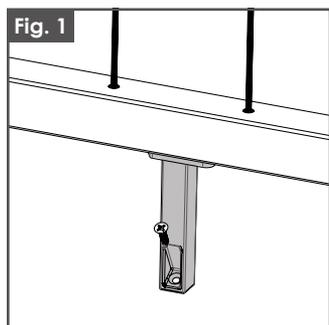
- Sólo se necesita un tornillo para asegurar el soporte al panel.



Paso 4. Sujetar el soporte en I a la plataforma

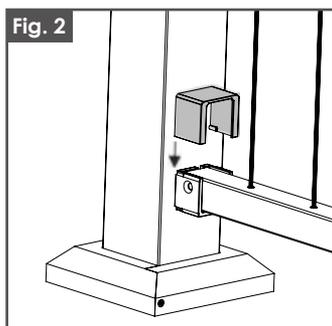
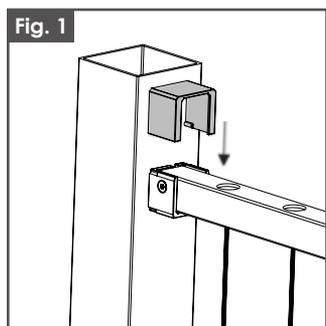
1. Sujete el soporte en I a la superficie de la plataforma con el tornillo para madera de cabeza Phillips suministrado.

Consejo: Taladrar previamente con una broca de 1/16" [1.5mm].



Paso 5. Tapas de soportes

1. Las tapas de los soportes se enganchan sobre las copas del soporte.
 - Si está instalando una baranda para bebidas utilizando los ganchos de la tapa de la baranda, la tapa se instala por debajo del soporte. Ver detalles en la página 11.
 - La tapa del soporte superior puede instalarse al utilizar un ATR, pero no se requiere instalarla.



POSTE SALIENTE: TENSAR EL CABLE

- Remítase a la página 38 para los pasos de tensado.

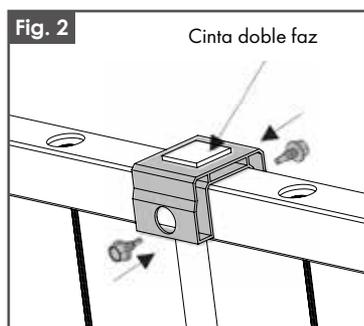
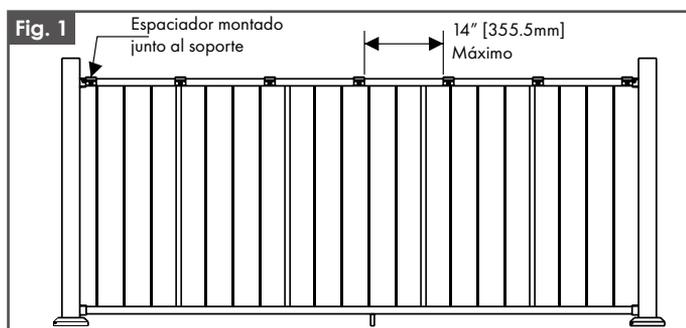
POSTE SALIENTE: RIEL SUPERIOR DECORATIVO REDONDO (ATR)

Paso 1. Espaciadores ATR redondos

1. Instale los espaciadores utilizando los tornillos autorroscantes que se suministran con una llave de tuercas de 5/16" [8 mm], dos tornillos por espaciador. Como se muestra en la Fig. 2.
 - El juego del riel superior con decoración viene con 7 espaciadores en el juego de 93.89" [2385 mm], con 6 espaciadores en el juego de 69.89" [1775 mm] y con 14 espaciadores en el juego de 190" [4826 mm].
 - Los espaciadores deben espaciarse a la misma distancia a lo largo de la longitud del riel, sin que haya más de 14" [279.5 mm] de espacio entre ellos. Como se muestra en la Fig. 1.
 - Los espaciadores de los extremos deben ponerse tan cerca de los soportes terminales como sea posible.

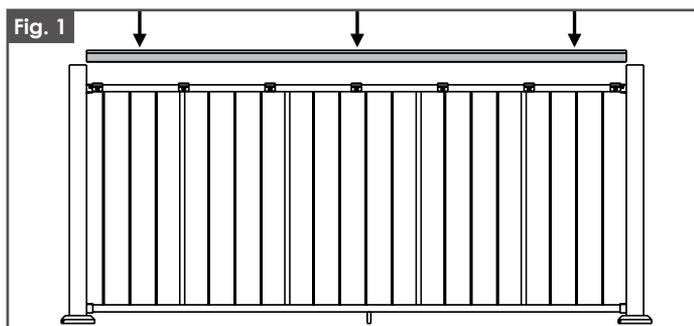
Nota:

- **NO REMUEVA EL RESPALDO DE LA CINTA DE DOBLE FAZ HASTA QUE ESTÉ LISTO PARA INSTALAR PERMANENTEMENTE EL ATR.**



Paso 2. ATR redondo

1. Mida la distancia desde el borde interior de los dos postes.
2. Corte el ATR a la longitud medida.
3. Cuando pruebe el ajuste del ATR, colóquelo sobre los espaciadores. No presione el ATR sobre los espaciadores. Quitar el ATR de los espaciadores puede dañar el ATR y los espaciadores. Como se muestra en la Fig. 2.
4. Quite el respaldo de toda la cinta doble faz sobre los espaciadores del ATR.
5. Es posible que necesite un mazo de hule para instalarlo. Si utiliza un mazo de hule, use un trapo para proteger de daños al ATR.



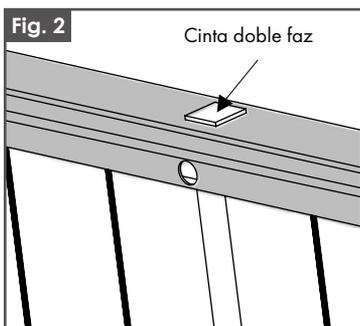
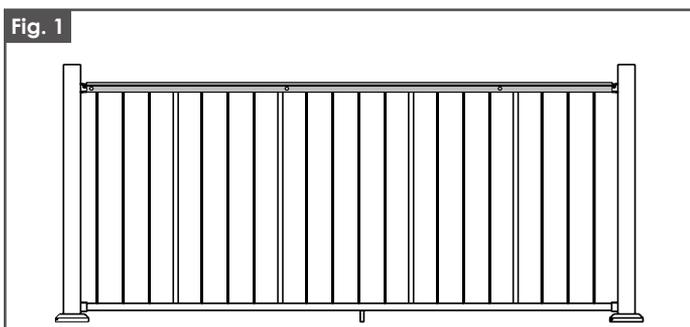
POSTE SALIENTE: RIEL SUPERIOR DECORATIVO PLANO (ATR)

Paso 1. Espaciadores ATR planos

1. Mida la distancia entre los soportes y corte el espaciador ATR a la longitud requerida. El espaciador puede ser $1/4''$ [6.5 mm] más corto que la distancia entre los soportes.
2. Si se cortó uno de los agujeros para los tornillos durante el dimensionado del espaciador ATR, utilice una broca de $5/8''$ [16 mm] para agregar otro agujero a $1''$ [25.1 mm] del extremo del espaciador ATR.
3. Instale el espaciador ATR utilizando los tornillos autorroscantes que se suministran con una llave de tuercas de $5/16''$ [8 mm].
4. Todos los agujeros para tornillos deben tener un tornillo instalado.

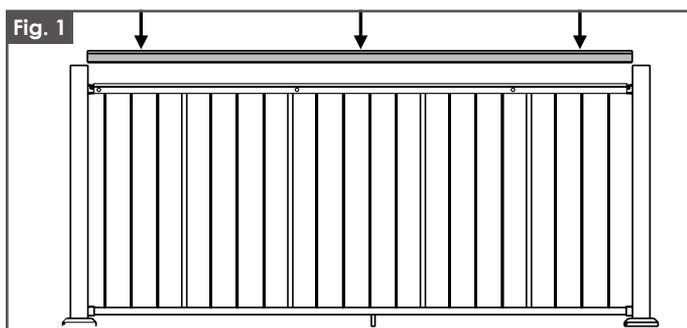
Nota:

- **El ATR plano utiliza un espaciador ATR de longitud total.**
- **NO REMUEVA EL RESPALDO DE LA CINTA DE DOBLE FAZ HASTA QUE ESTÉ LISTO PARA INSTALAR PERMANENTEMENTE EL ATR.**



Paso 2. ATR plano de línea y terminal

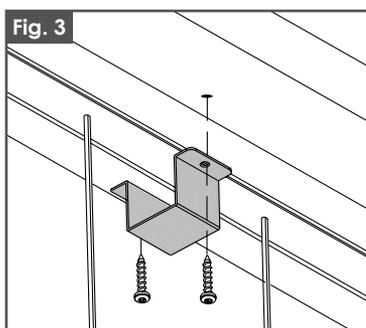
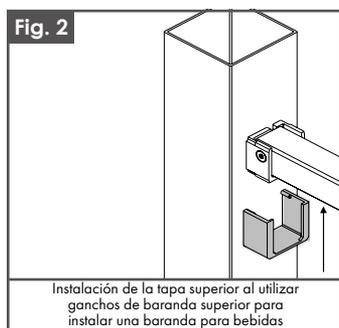
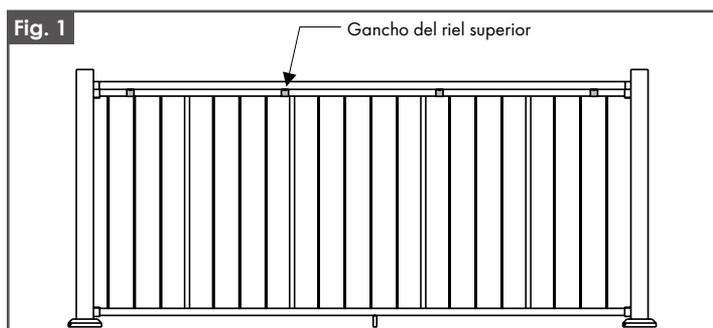
1. Mida la distancia desde el borde interior de los dos postes.
2. Corte el ATR a la longitud medida.
3. El ATR no puede bloquear el borde interno del poste.
4. Cuando pruebe el ajuste del ATR, colóquelo sobre los espaciadores. No presione el ATR sobre los espaciadores. Quitar el ATR de los espaciadores puede dañar el ATR y los espaciadores. Como se muestra en la Fig. 2.
5. Quite el respaldo de toda la cinta doble faz sobre los espaciadores del ATR.
6. Es posible que necesite un mazo de hule para instalarlo. Si utiliza un mazo de hule, use un trapo para proteger de daños al ATR.



POSTE SALIENTE: GANCHOS DEL RIEL SUPERIOR, TAPA PARA POSTE Y CUBIERTA PARA BASE DE POSTE

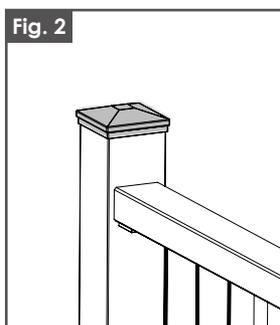
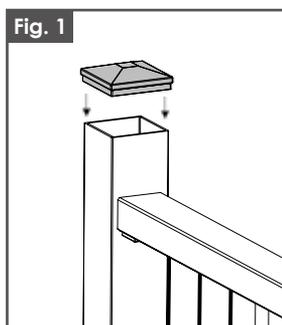
Paso 1. Ganchos del riel superior

1. Instale las tapas del soporte del riel superior que vienen con los ganchos del riel superior. Como se muestra en la Fig. 2.
2. Utilice ganchos del riel superior al instalar un riel para bebidas.
 - Los ganchos del riel superior deben quedar espaciados de forma uniforme sobre la longitud del panel.
 - Se recomienda taladrar previamente los agujeros para los tornillos.



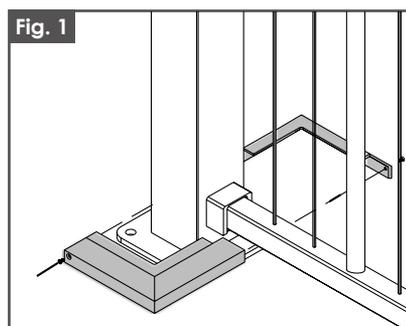
Paso 2. Tapas para postes AL¹³ HOME

1. Las tapas para postes AL¹³ HOME encajan a presión.



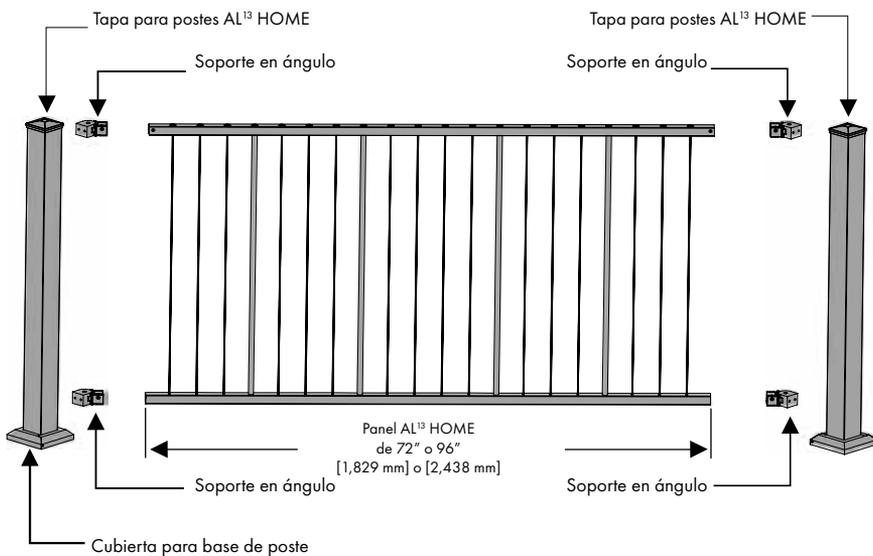
Paso 3. Cubierta para base de poste

1. Desarme la cubierta para la base del poste e instálela sobre el poste.
2. Utilice una escoba o un compresor para retirar los restos del riel y de la superficie de la plataforma.



SOPORTE EN ÁNGULO: OPCIONES DE SOPORTE

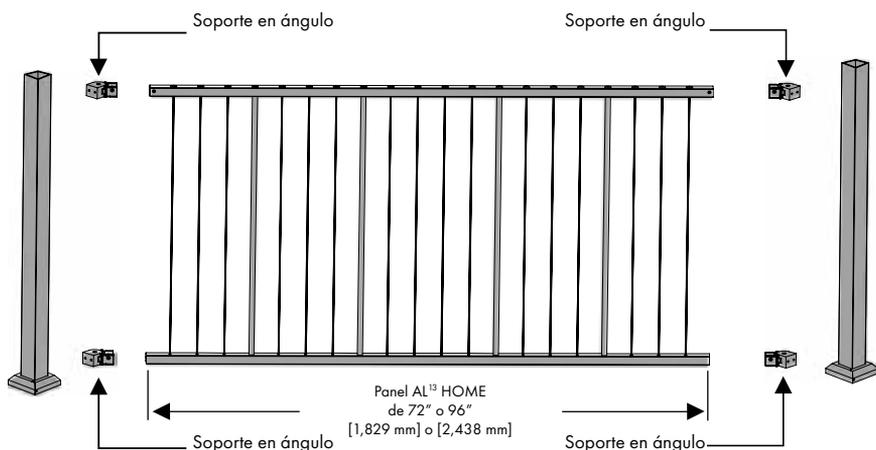
Soporte en ángulo para poste saliente de 3" [76 mm]



Configuraciones de postes salientes de 3" [76 mm]

Únicamente paneles AL ¹³ HOME	
AL ¹³ HOME Altura del panel	Poste requerido
32-1/2" [825.5mm]	39-1/2" [1,003.5mm]
40" [1,016mm]	45-1/2" [1,155.5mm]

Soporte en ángulo para poste OTP de 2" [51 mm]



Configuraciones de postes salientes de 2" [51mm]

AL ¹³ HOME Altura del panel	Únicamente paneles AL ¹³ HOME	
	Altura del panel instalado*	Poste requerido
32-1/2" [825.5mm]	36" [914mm]	36" [914mm]
40" [1,016mm]	42" [1,067mm]	42" [1,067mm]

SOPORTE EN ÁNGULO: INSTALACIÓN DE SOPORTES

Paso 1. Ubicaciones de los agujeros del soporte en ángulo

- Las alturas del panel instalado incluyen el espacio entre la superficie de la plataforma y el lado de abajo del riel inferior. Los paneles AL¹³ HOME de 32.5" [825.5 mm] tienen un espacio de 3-1/2" [89 mm]. Los paneles AL¹³ HOME de 40" [1,016 mm] tienen un espacio de 2" [51 mm].
- La dimensión A se mide desde la superficie inferior de la base del poste.

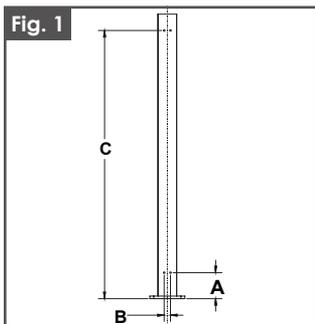


Fig. 2

Altura del panel

1	32-1/2" [825.5mm]
2	40" [1,016mm]

Se requiere taladrar previamente con una broca de 3/16" [4.5 mm].

Dimensiones del taladrado previo

	A*	B	C
1	4-3/16" [106.5mm]	1" [25.5mm]	35-3/8" [899mm]
2	2-9/16" [65mm]	1" [25.5mm]	41-5/16" [1049mm]

Paso 2. Taladrar previamente e instalar soportes en ángulo

1. Marque con un lápiz la línea central de cada poste.
2. Marque con un lápiz las ubicaciones de los agujeros definidas en el paso anterior, luego taladre previamente con una broca de 3/16" [4.5 mm] asegurándose de que los agujeros estén espaciados de forma uniforme desde la línea central. Como se muestra en la Fig. 1.
3. Retire el perno del ensamblaje del soporte en ángulo.
4. Acople la pieza del soporte en ángulo a los postes con los tornillos autorroscantes T-25 suministrados. Utilice dos tornillos por soporte. Use el ajuste de baja velocidad en el taladro. El lado de la base con los dos agujeros debe mirar hacia abajo.
5. Vuelva a ensamblar los soportes en ángulo, pero **NO** instale la tapa del soporte en ángulo en este momento. Como se muestra en la Fig. 2.
6. Instale la cubierta para base del poste deslizándola sobre la parte superior del poste. Como se muestra en la Fig. 3.
7. Quite todas las virutas metálicas de la plataforma, de la cubierta de la base del poste, del poste y del panel antes de atornillar el soporte al poste.

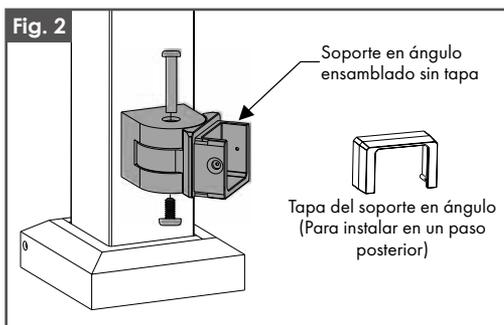
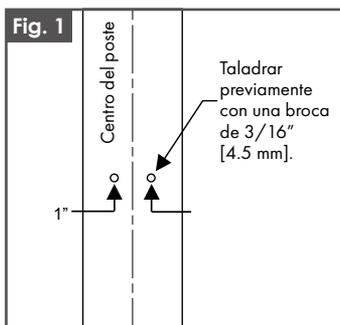
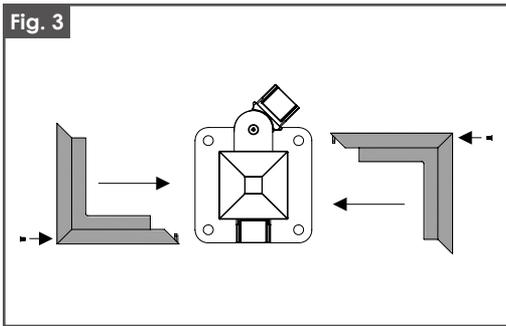


Fig. 3



Paso 3. Determine la longitud del panel

1. Revise para asegurarse de que todos los postes estén a escuadra y derechos. Utilice cuñas en los postes según se requiera.
2. Asegúrese de que las tapas de los soportes en ángulo estén alineadas aproximadamente.
3. Con la ayuda de otra persona, mida la distancia desde la parte posterior interna de una tapa hasta la parte posterior interna de la otra tapa. Esta será la longitud del panel. Como se muestra en la Fig. 2.

Fig. 1

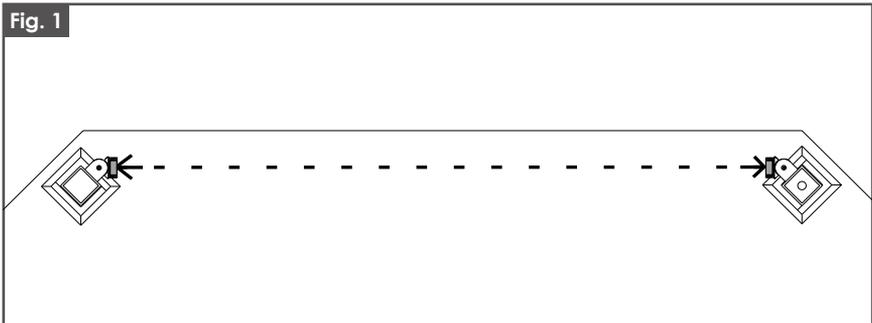
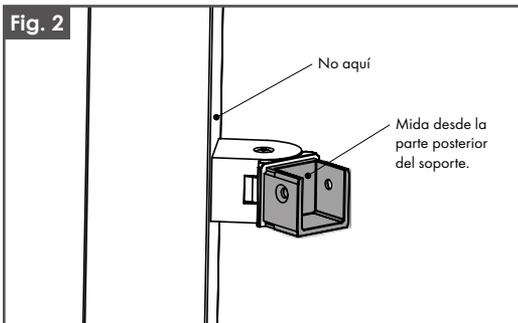


Fig. 2



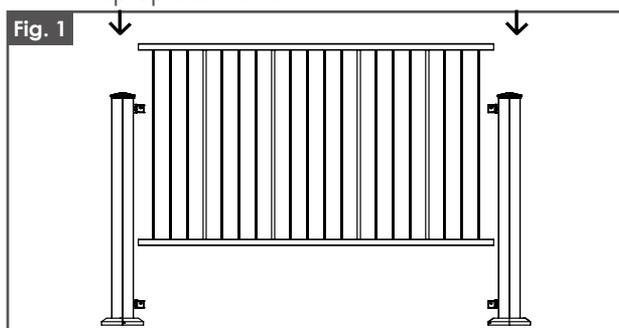
SOPORTE EN ÁNGULO: CORTAR PANELES

- Remítase a la página 8 para los pasos del corte del panel.

SOPORTE EN ÁNGULO: INSTALAR UN PANEL

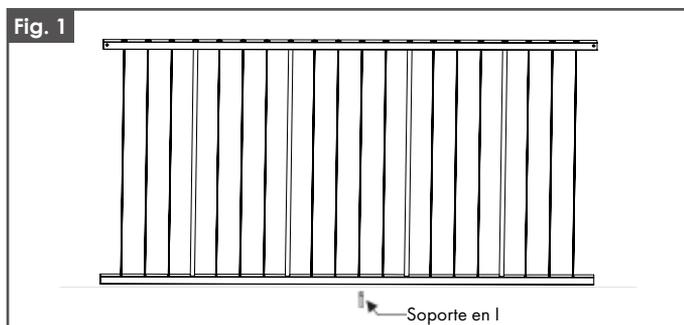
Paso 1. Probar el ajuste del panel

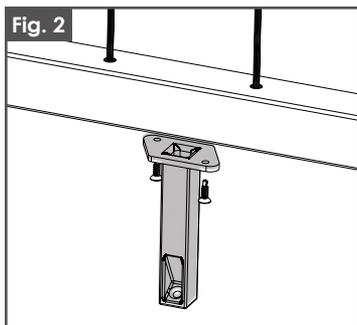
1. Inserte el panel cortado para asegurarse de que se ajuste apropiadamente.



Paso 2. Instalar el soporte en I sobre el panel

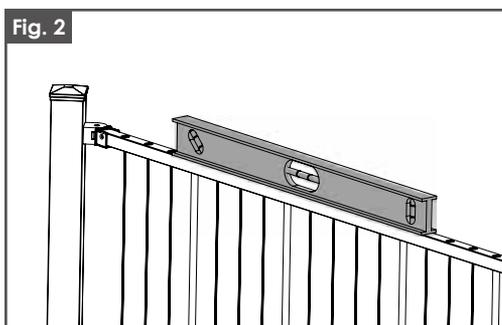
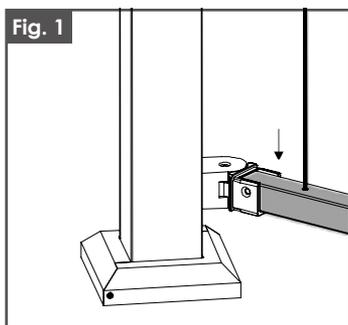
1. Instale el soporte en I debajo del riel inferior con los 2 tornillos autorroscantes de cabeza Phillips suministrados. Como se muestra en la Fig. 2.





Paso 3. Instalar un panel

1. Utilice un nivel para asegurarse de que todos los paneles estén a la misma altura antes de fijarlos al poste.
 - Podría ser necesario el uso de un espaciador o bloque ATR para medir sobre un poste.



Paso 4. Aplicar tornillos

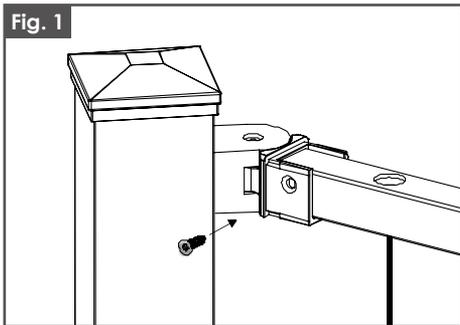
1. Fije el panel a cada uno de los 4 soportes utilizando el tornillo autorroscante que se suministra con una punta T-25.

Consejo: Taladrar previamente con una broca de 3/16" [4.5 mm].

Nota:

- Se recomienda que todos los paneles se fijen con los tornillos que se suministran del mismo lado del soporte al utilizar un poste en línea. Como se muestra en la Fig.1
- Sólo se necesita un tornillo para asegurar el soporte al panel.

Fig. 1

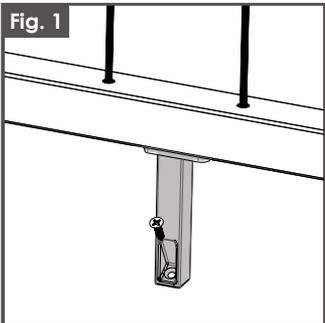


Paso 5. Sujetar el soporte en L a la plataforma

1. Sujete el soporte en L a la superficie de la plataforma con el tornillo para madera de cabeza Phillips suministrado.

Consejo: Taladrar previamente con una broca de 1/16" [1.5mm].

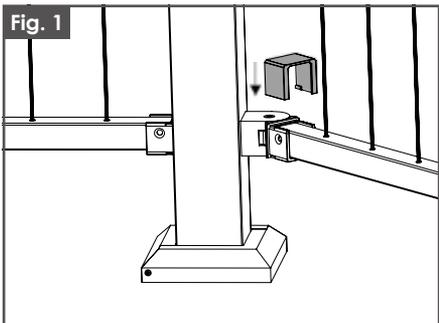
Fig. 1



Paso 6. Instalar la cubierta del soporte

1. Las tapas de los soportes se enganchan sobre las copas del soporte.
2. Utilice una escoba o un compresor para retirar los restos del riel y de la superficie de la plataforma.

Fig. 1



SOPORTE EN ÁNGULO: TENSAR EL CABLE

- Remítase a la página 38 para los pasos de tensado.

SOPORTE EN ÁNGULO: RIEL SUPERIOR DECORATIVO REDONDO Y PLANO (ATR)

- Remítase la página 12 para los pasos para ATR redondos OTP y a la página 23 para los pasos para postes salientes redondos ATR.
- Remítase la página 16 para los pasos para ATR planos OTP y a la página 25 para los pasos para postes salientes planos ATR.

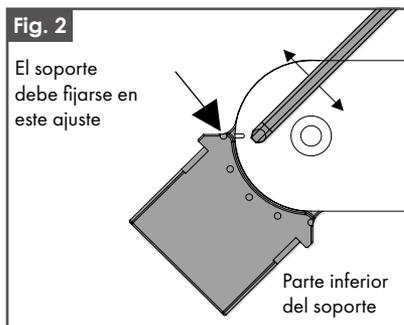
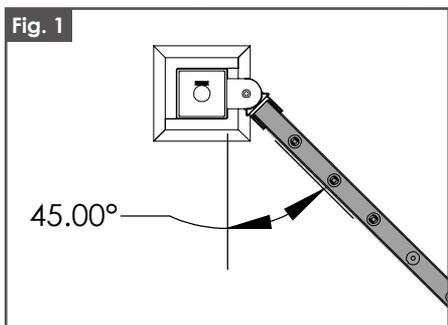
SOPORTE EN ÁNGULO: EMPALME A INGLETE DE ATR REDONDO Y PLANO

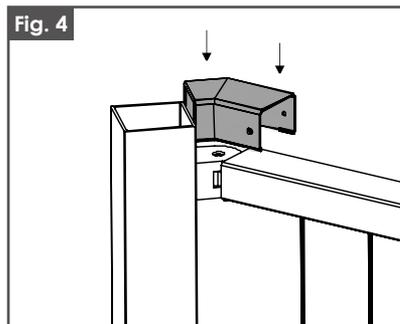
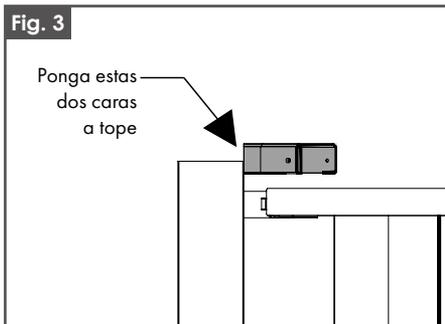
Paso 1. Empalme ATR en ángulo (poste saliente)

1. Utilice una llave hexagonal de 3/32" [2.5 mm] para apretar el tornillo de ajuste y bloquear el soporte en ángulo en la posición de 45°. Como se muestra en la Fig. 1, 2.
2. Coloque el empalme en ángulo sobre el ATR juntando la cara del extremo del empalme con la cara del poste de 3" [76 mm]. Como se muestra en la Fig. 3, 4.
3. Es posible que necesite un mazo de hule para instalarlo. Si utiliza un mazo de hule, use un trapo para proteger de daños al ATR.
4. Asegure el empalme en ángulo con dos tornillos autorroscantes #6-20 x 1/2" [12.5 mm].

Nota:

- El empalme en ángulo funciona únicamente si los soportes están ajustados a un ángulo de 45°.



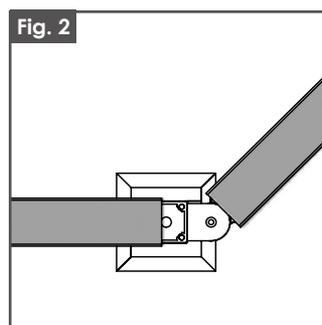
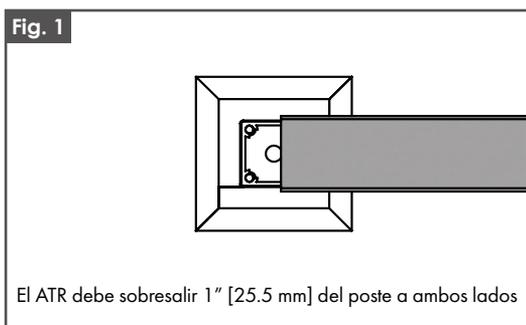


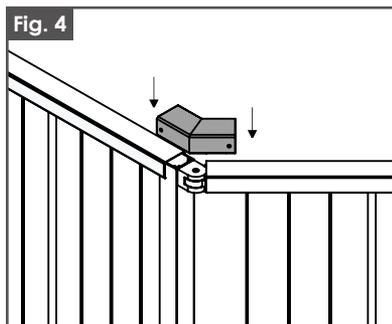
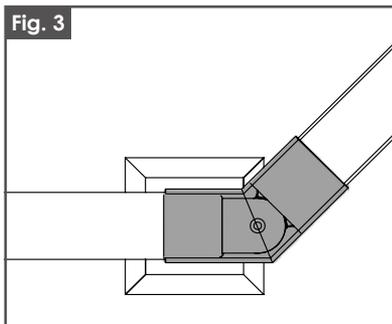
Paso 2. Empalme en ángulo ATR (OTP)

1. Instale primero los ATR y los espaciadores opuestos al soporte en ángulo.
2. Mida desde el interior del poste y agregue 2" [51 mm] a la longitud general.
3. Instale los ATR y los espaciadores sobre el lado del ángulo midiendo desde el extremo de la tapa del soporte y agregando 2-1/2" [63.5 mm] a la longitud general.
4. Una vez que estén instalados ambos ATR, centre el empalme en ángulo sobre el soporte en ángulo.
5. Asegure el empalme en ángulo sobre los ATR con un mazo de hule.

Nota:

- **El ATR debe sobresalir del poste 1" [25.5 mm] a cada lado.**



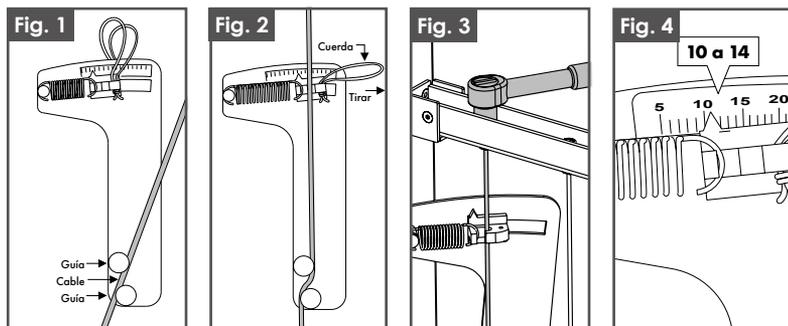


TENSAR EL CABLE

Paso 1. Tensar el panel de cable vertical AL¹³ HOME

NO TENSE LOS CABLES DE FORMA EXCESIVA

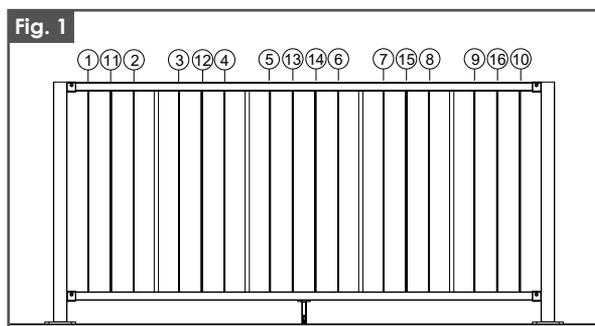
1. Utilice un medidor de tensión para cables de Fortress para tensar los cables de forma exacta.
2. Un cable que se tensa apropiadamente debe tensarse hasta que la lectura del indicador se encuentre entre 10 y 14.
3. El sistema de cables verticales AL¹³ HOME utiliza cable de 1/8" [3 mm] de diámetro.
4. Consulte las imágenes a continuación para ver información acerca de cómo cargar el cable dentro del medidor de tensión.
 - Posicione el cable entre las guías inferiores. Como se muestra en la Fig. 1.
 - Tire de la cuerda y extienda el resorte hasta que el cable se enganche con el gancho en el indicador deslizante. Como se muestra en la Fig.2
 - Utilice una llave de copas de 1/2" [13 mm] para apretar el cable. Como se muestra en la Fig. 3.
 - Apriete el cable hasta que la flecha del indicador se encuentre entre 10 y 14 en el medidor de tensión. Como se muestra en la Fig. 4.



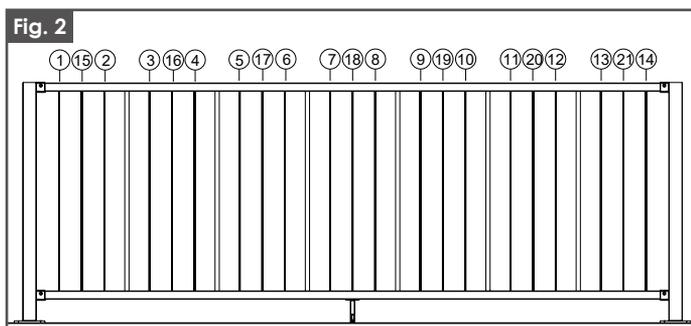
Paso 2. Secuencia del tensado del cable

1. Elimine la holgura de los cables utilizando la llave de copas. Una vez que elimine la holgura, tense los cables uno por uno en la secuencia que se muestra para mantener una tensión uniforme a través del panel.
2. Una vez que los cables se hayan tensado hasta el rango apropiado en el medidor de tensión, podrá continuar a los siguientes pasos.

Secuencia de riel de 6'



Secuencia de riel de 8'



CUIDADO Y MANTENIMIENTO

Cuidado y mantenimiento de productos para barandas, productos y superficies con recubrimiento de pintura en polvo de Fortress:

- Inmediatamente después de instalar sus productos para barandas de Fortress, limpie los productos y superficies con recubrimiento de pintura en polvo con una solución de agua tibia y detergente no abrasivo, con pH neutro. Las superficies deben enjuagarse muy bien después de limpiarlas para remover todos los residuos. Todas las superficies deben limpiarse utilizando un trapo suave o una esponja.
- Asegúrese de que los materiales de construcción como concreto, cemento y salpicaduras de pintura se remuevan inmediatamente antes de que puedan secarse. Dejar de remover estos materiales puede causar daños a las superficies con recubrimiento de pintura en polvo.
- La frecuencia de limpieza depende en parte del estándar de apariencia, así como de los requerimientos para remover depósitos que puedan causar daños al recubrimiento de pintura en polvo después de una exposición prolongada. Fortress recomienda limpiar a intervalos de tres a cuatro meses todos los productos y superficies con recubrimiento de pintura en polvo. En áreas de tráfico más alto, aumento en las sustancias atmosféricas, o dónde pueden ocurrir otros efectos, debe aumentarse la frecuencia entre limpiezas a intervalos mensuales.
- **ADVERTENCIA: No utilice solventes fuertes tales como thinner, ni soluciones que contengan hidrocarburos clorados, ésteres o cetonas. No deben emplearse limpiadores abrasivos ni compuestos de corte.**

GARANTÍA

Fortress Railing Products garantiza que sus productos y accesorios para barandas de aluminio Fortress AL¹³ HOME están libres de defectos de fabricación en materiales y mano de obra para el consumidor original de por vida. Además de defectos de fabricación, esta garantía limitada cubre agrietamiento, descascarado y ampollas en el acabado y corrosión extensa de los productos para barandas de aluminio AL¹³ HOME. La corrosión se considera extensa cuando hay múltiples instancias de perforaciones de óxido en la misma pieza del producto. Esta garantía no cubre daños causados por el uso anormal o inapropiado, la aplicación inapropiada del producto, accidentes, alteraciones, soldadura, negligencia, abuso, vandalismo, daños causados por equipos para el cuidado del césped, abrasión, químicos dañinos, químicos para piscinas o químicos para la remoción de hielo, contaminantes del aire, servicio o instalación inapropiada, o falta de servicio, asentamiento de edificaciones, o daños causados por inundación, incendio o casos fortuitos. La corrosión de la superficie debida a raspaduras, golpes y abolladuras no está cubierta. Para productos ubicados dentro de 1 milla (1.6 Km) o menos de la línea costera, esta garantía limitada es por un período de 7 años a partir de la fecha de compra. Los productos para barandas de aluminio AL¹³ HOME que hayan entrado en contacto directo con agua salada se excluyen de esta garantía.

El propietario de la vivienda o el contratista deben enviar una reclamación de garantía en línea a <https://www.Fortressrailing.Com/Warranties/> y hacer clic en el botón "enviar una reclamación de garantía". La documentación requerida incluye: comprobante de compra, 4-6 fotografías del producto y del sitio del trabajo, código de la fecha de fabricación y/o etiqueta del lote, la cual se incluye con todos los productos de Fortress Railing. Fortress Railing Products le notificará al consumidor original la aprobación o rechazo de esta reclamación de garantía.

Condiciones y exclusiones de esta garantía

ESTA GARANTÍA NO ES TRANSFERIBLE. LA CANTIDAD DE SU RESTITUCIÓN NO INCLUIRÁ LA MANO DE OBRA PARA RETIRAR LOS COMPONENTES EXISTENTES NI PARA INSTALAR LOS COMPONENTES DE REEMPLAZO, CARGOS DE ENVÍO, IMPUESTO SOBRE LAS VENTAS, NI NINGÚN OTRO CARGO, NI FORTRESS RAILING PRODUCTS DEBERÁ PROVEER DICHA MANO DE OBRA O SERVICIO.

ESTA GARANTÍA LIMITADA ES EN LUGAR DE CUALQUIER OTRA GARANTÍA EXPLÍCITA. FORTRESS RAILING PRODUCTS NO BRINDA NINGUNA GARANTÍA EXPLÍCITA, NI AUTORIZA A NINGUNA OTRA PERSONA O AGENTE A BRINDAR NINGUNA OTRA GARANTÍA EXPLÍCITA. FORTRESS RAILING PRODUCTS NO ASUME NI AUTORIZA NINGUNA OTRA RESPONSABILIDAD U OBLIGACIÓN EN LA GARANTÍA, INCLUIDAS, SIN LIMITACIÓN, LAS GARANTÍAS IMPLÍCITAS DE COMERCIALIDAD E IDONEIDAD PARA UN PROPÓSITO PARTICULAR EN RELACIÓN CON ESTE PRODUCTO. FORTRESS RAILING PRODUCTS NO SERÁ RESPONSABLE EN NINGÚN CASO POR NINGÚN DAÑO CONSECUENTE, ESPECIAL O INCIDENTAL QUE SURGIERE DE, O ESTUVIERE RELACIONADO CON LA COMPRA O EL USO DE ESTE PRODUCTO, POR NINGUNA VIOLACIÓN DE LA GARANTÍA.

Este acuerdo se registrará e interpretará de conformidad con las leyes del estado de Texas, independientemente de su conflicto de leyes. Cualquier acción legal que surgiere del acuerdo se litigará y se hará cumplir bajo las leyes del estado de Texas. Además, usted está de acuerdo en someterse a la jurisdicción de los tribunales del estado de Texas, y que cualquier acción legal que usted lleve a cabo se hará dentro de la jurisdicción exclusiva de los tribunales en el estado de Texas, EE. UU.

ALGUNOS ESTADOS NO PERMITEN LIMITACIONES EN RELACIÓN CON LA DURACIÓN DE UNA GARANTÍA IMPLÍCITA, NI LA EXCLUSIÓN O LIMITACIÓN DE DAÑOS INCIDENTALES O CONSECUENTES, POR LO TANTO, LAS ANTERIORES LIMITACIONES O EXCLUSIONES PUEDEN NO APLICAR EN SU CASO. ESTA GARANTÍA LE OTORGA DERECHOS LEGALES ESPECÍFICOS, Y USTED PUEDE TENER OTROS DERECHOS QUE VARÍAN DE UN ESTADO A OTRO. ESTA GARANTÍA ES APLICABLE ÚNICAMENTE A SISTEMAS INSTALADOS DENTRO DE LOS ESTADOS UNIDOS CONTINENTALES Y CANADÁ.



JOIN THE REVOLUTION.

FortressBP.com | 866.323.4766

© 2020 Fortress Building Products.

Unless otherwise noted, all proprietary names are trademarks of Fortress Iron, LP. All rights reserved.

À moins d'indication contraire, tous les noms de spécialités sont des marques déposées de Fortress Iron, LP. Tous droits réservés

Todos los nombres propios de productos son marcas comerciales de Fortress Iron, LP, a menos que se indique lo contrario. Todos

los derechos reservados.

05/2020